

Compact cylinders CDC, ISO 21287, Clean Design



Compact cylinders CDC, ISO 21287, Clean Design

Key features



Design

- With the CDC (Clean Design Compact) cylinder series, the ADN modular system has been expanded to include an easy to clean compact cylinder variant
- It is based on ISO 21287 for compact cylinders and, like the compact cylinder ADN, features short strokes and a compact design
- The compact cylinder CDC is designed as a double-acting pneumatic cylinder with piston, piston rod and profile barrel

Easy to clean

- Clean Design means smooth surfaces without slots and edges, which means fewer places where dirt can collect
- For hygiene reasons, the threads on the cylinder caps should be sealed with suitable blanking screws
- Resistant to conventional cleaning agents
- Increased corrosion protection

Easy to assemble

- Comprehensive range of mounting accessories for just about every type of installation
- Contactless position sensing via proximity sensors

Versatile

- The variants can be configured according to individual needs thanks to the modular product system
- Greater flexibility thanks to the wide range of variants

Variants

CDC-...

- Ø 20, 25 mm
- Without position sensing

CDC-...A...-R

- Ø 32 ... 80 mm
- With position sensing integrated in the end positions

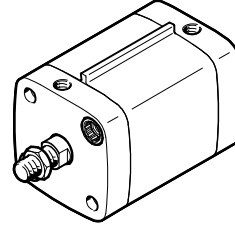
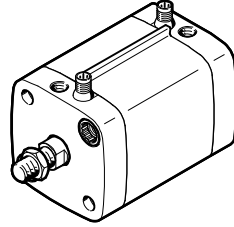
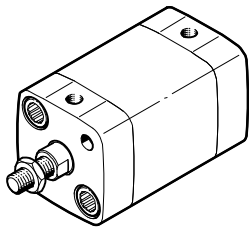
CDC-...A-R

- Ø 32 ... 80 mm
- With sensor mounting rail for external position sensing



Note

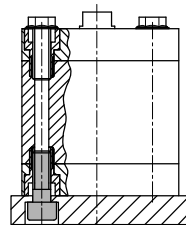
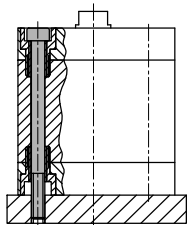
A combination of integrated and external position sensing is possible.



Mounting options

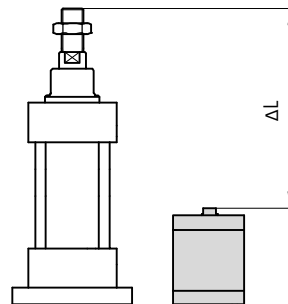
With through screws

Direct mounting



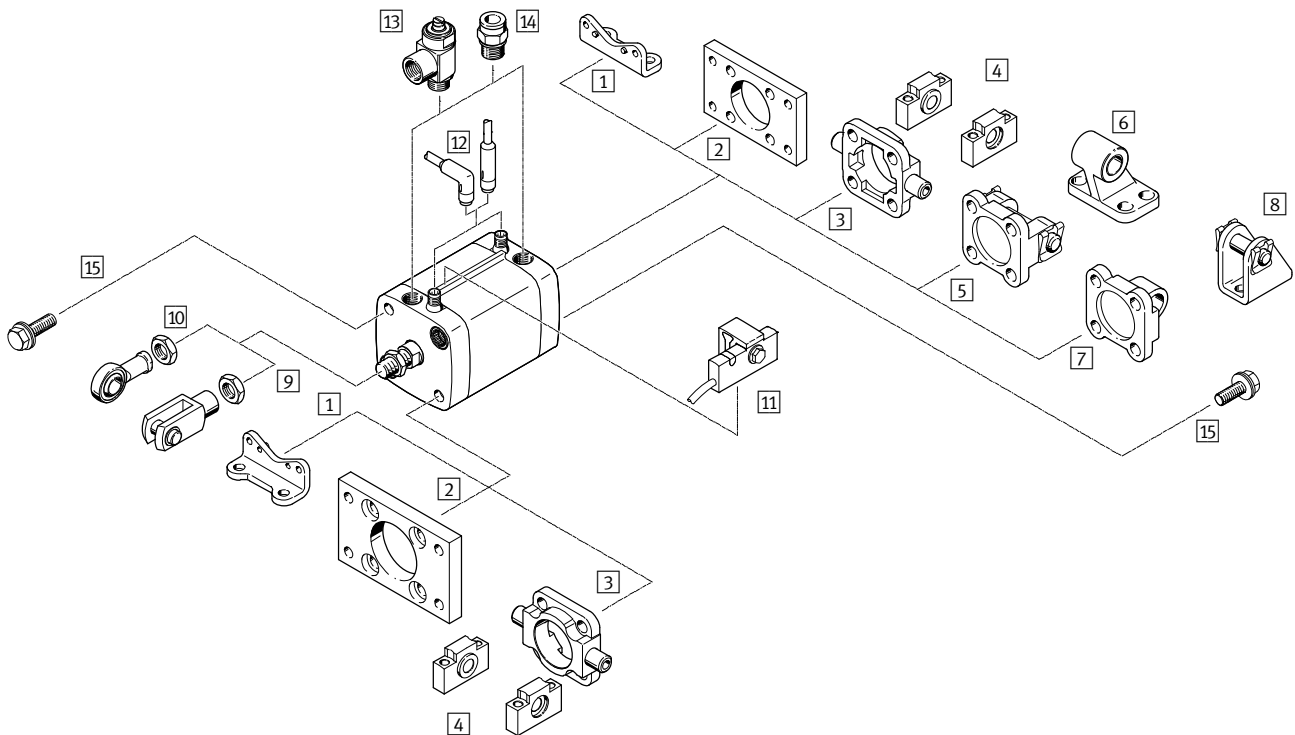
Size

Space savings of up to 50% compared with cylinders to standard ISO 15552



Compact cylinders CDC, ISO 21287, Clean Design

Peripherals overview



| Mounting attachments and accessories | | Description | → Page/Internet |
|--------------------------------------|--|---|-----------------|
| 1 | Foot mounting HNA-...-R3 | For bearing and end cap | 16 |
| 2 | Flange mounting CRFNG | For bearing or end cap | 17 |
| 3 | Trunnion flange CRZNG | For bearing or end cap in combination with trunnion supports CRLNZG | 18 |
| 4 | Trunnion supports CRLNZG | For trunnion flange CRZNG | 18 |
| 5 | Swivel flange SNCB- ... -R3 | For end cap | 19 |
| 6 | Clevis foot mounting CRLNG | For swivel flange SNCB- ... -R3 | 19 |
| 7 | Swivel flange SNCL- ... -R3 | For end cap | 20 |
| 8 | Clevis foot mounting CRLBN | For swivel flange SNCL- ... -R3 | 20 |
| 9 | Rod clevis CRSG | Permits a swivelling movement of the cylinder in one plane | 23 |
| 10 | Rod eye CRSGS | With spherical bearing | 23 |
| 11 | Proximity sensor SMT-C1 | For attachment to the sensor mounting rail | 21 |
| 12 | Cable with socket SIM-K- ... -CDN | For electrical signal transmission and power supply | 21 |
| 13 | One-way flow control valve CRGRLA | For regulating speed | 23 |
| 14 | Push-in fittings NPQH/NPQH-L/CROQ/CROQL | For connecting compressed air tubing with standard external diameters | 22 |
| 15 | Blanking screws DAMD-P- ... | For covering unused mounting threads | 23 |

Compact cylinders CDC, ISO 21287, Clean Design

Type codes

CDC - 32 - 50 - A - P - AIB - SME - R - K2

Type

| | |
|---------------|--------------------------------|
| Double-acting | |
| CDC | Compact cylinder, Clean Design |

Piston Ø [mm]

Stroke [mm]

Piston rod thread

| | |
|---|---------------|
| A | Male thread |
| I | Female thread |

Cushioning

| | |
|---|---|
| P | Flexible cushioning rings/pads at both ends |
|---|---|

Position sensing

| | |
|-----|--------------------------|
| A | For proximity sensor |
| AIB | At both ends, integrated |
| AIV | Front, integrated |
| AIH | Rear, integrated |

Proximity sensor

| | |
|-----|----------------------------|
| SME | Contacting (magnetic reed) |
|-----|----------------------------|

Sensor mounting rail

| | |
|---|---|
| R | For external position sensing (only with Ø 32 ... 80 mm) |
|---|---|

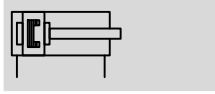
Variant

| | |
|----|--|
| S2 | Through piston rod |
| K2 | Extended male piston rod thread |
| K5 | Piston rod with special thread |
| K8 | Extended piston rod |
| S6 | Heat-resistant seals for temperatures up to 120 °C |

Compact cylinders CDC, ISO 21287, Clean Design

Technical data

Function

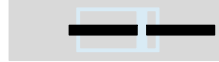


- Ø - Diameter
20 ... 80 mm

- | - Stroke length
1 ... 500 mm

- T - www.festo.com

Variants



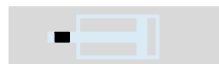
S2



K2



K5



K8



S6



CDC-...-A-P



CDC-...-A-P-R

| General technical data | | | | | | | |
|------------------------|---|------------------------|----------|----------|----------|----------|---------|
| Piston Ø | 20 | 25 | 32 | 40 | 50 | 63 | 80 |
| Pneumatic connection | M5 | M5 | G1/8 | G1/8 | G1/8 | G1/8 | G1/8 |
| Piston rod thread | M8 | M8 | M10x1.25 | M10x1.25 | M12x1.25 | M12x1.25 | M16x1.5 |
| Design | Piston | | | | | | |
| | Piston rod | | | | | | |
| | Cylinder barrel | | | | | | |
| Cushioning | Flexible cushioning rings/pads at both ends | | | | | | |
| Position sensing | A | For proximity sensor | | | | | |
| | AIB | At both ends, built-in | | | | | |
| | AIV | Front, built-in | | | | | |
| | AIH | Rear, built-in | | | | | |
| Type of mounting | Via through-hole | | | | | | |
| | With female thread | | | | | | |
| | Via accessories | | | | | | |
| Mounting position | Any | | | | | | |

| Operating and environmental conditions | | | | | | | |
|--|--|-------------|------------|------------|----|----|------------|
| Piston Ø | 20 | 25 | 32 | 40 | 50 | 63 | 80 |
| Operating medium | Compressed air in accordance with ISO 8573-1:2010 [7:4:4] | | | | | | |
| Note on operating/pilot medium | Operation with lubricated medium possible (in which case lubricated operation will always be required) | | | | | | |
| Operating pressure | [bar] | 0.8 ... 10 | | 0.6 ... 10 | | | |
| | S2 [bar] | 1.2 ... 10 | | 1 ... 10 | | | 0.8 ... 10 |
| | S6 [bar] | 1 ... 10 | 0.6 ... 10 | | | | |
| Ambient temperature ¹⁾ | [°C] | -20 ... +80 | | | | | |
| | S6 [°C] | 0 ... +120 | | | | | |
| Food safe ²⁾ | See supplementary material information | | | | | | |
| Corrosion resistance class CRC ³⁾ | 3 | | | | | | |

1) Note operating range of proximity sensors

2) Additional information www.festo.com/sp → Certificates.

3) Corrosion resistance class CRC 3 to Festo standard FN 940070

High corrosion stress. Outdoor exposure under moderate corrosive conditions. External visible parts with primarily functional requirements for the surface and which are in direct contact with a normal industrial environment.

Compact cylinders CDC, ISO 21287, Clean Design

Technical data

| Forces [N] and impact energy [J] | | | | | | | |
|---|-----|------|-----|------|------|------|------|
| Piston Ø | 20 | 25 | 32 | 40 | 50 | 63 | 80 |
| Theoretical force at 6 bar, advancing | 188 | 295 | 483 | 754 | 1178 | 1870 | 3016 |
| S2 | 141 | 247 | 415 | 686 | 1057 | 1750 | 2827 |
| Theoretical force at 6 bar, retracting | 141 | 247 | 415 | 686 | 1057 | 1750 | 2827 |
| Max. impact energy at the end positions | 0.2 | 0.3 | 0.4 | 0.7 | 1 | 1.3 | 1.8 |
| S6 | 0.1 | 0.15 | 0.2 | 0.35 | 0.5 | 0.65 | 0.9 |

Permissible impact velocity:

$$v_{perm.} = \sqrt{\frac{2 \times E_{perm.}}{m_{dead} + m_{load}}}$$

$v_{perm.}$ Permissible impact velocity
 $E_{perm.}$ Max. impact energy
 m_{dead} Moving load (drive)
 m_{load} Moving work load

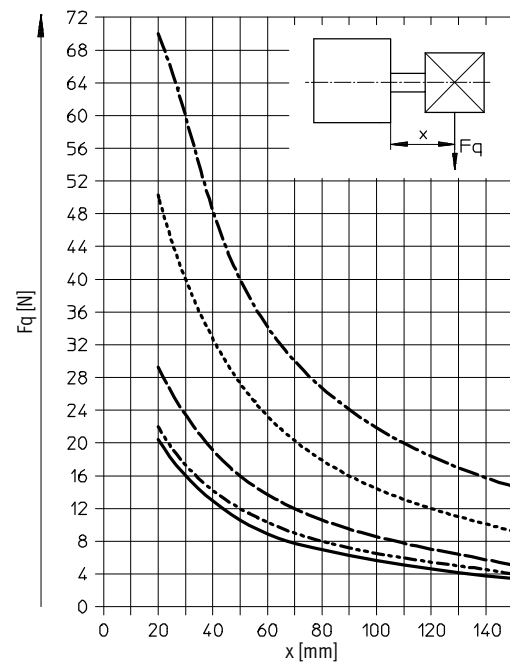
Note

These specifications represent the maximum values which can be reached. Note the maximum permitted impact energy.

Maximum permissible load:

$$m_{load} = \frac{2 \times E_{perm.}}{v^2} - m_{dead}$$

Max. lateral force F_q as a function of projection x



- Ø 20
- - - - - Ø 25
- · - · - Ø 32/40
- · · · · Ø 50/63
- · - · - Ø 80

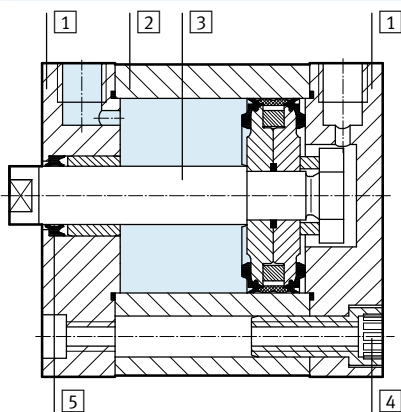
Compact cylinders CDC, ISO 21287, Clean Design

Technical data

| Weights [g] | | | | | | | |
|------------------------------------|-----|-----|-----|-----|-----|-----|------|
| Piston Ø | 20 | 25 | 32 | 40 | 50 | 63 | 80 |
| Basic version | | | | | | | |
| Product weight with 0 mm stroke | 133 | 170 | 277 | 377 | 567 | 790 | 1475 |
| Additional weight per 10 mm stroke | 20 | 23 | 31 | 35 | 52 | 59 | 84 |
| | | | | | | | |
| Moving load with 0 mm stroke | 24 | 33 | 53 | 82 | 128 | 177 | 367 |
| Additional load per 10 mm stroke | 6 | 6 | 9 | 9 | 16 | 16 | 25 |
| | | | | | | | |
| S2 – Through piston rod | | | | | | | |
| Product weight with 0 mm stroke | 150 | 183 | 296 | 386 | 600 | 827 | 1507 |
| Additional weight per 10 mm stroke | 26 | 29 | 40 | 44 | 67 | 74 | 109 |
| | | | | | | | |
| Moving load with 0 mm stroke | 34 | 40 | 64 | 81 | 144 | 195 | 367 |
| Additional load per 10 mm stroke | 12 | 12 | 18 | 18 | 32 | 32 | 49 |

Materials

Sectional view



| Compact cylinder | Basic version | S6 |
|---------------------|---|---|
| 1 End cap | Anodised aluminium | |
| 2 Cylinder barrel | Anodised aluminium | |
| 3 Piston rod | High-alloy steel | |
| 4 Flange screws | Corrosion-resistant steel | |
| - Seals | TPE-U (PUR) media sealing (modified for resistance to hydrolysis and cleaning agents) | FPM |
| - Note on materials | Free of copper and PTFE | |
| - | | Contains PWIS (paint-wetting impairment substances) |

Compact cylinders CDC, ISO 21287, Clean Design

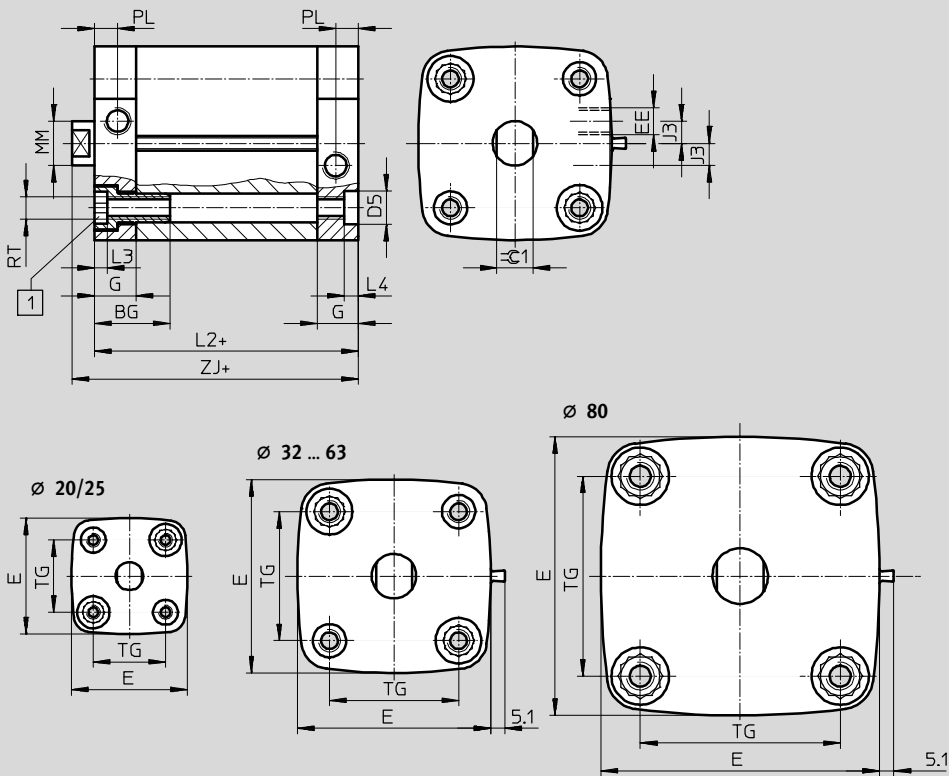
Technical data

FESTO

Dimensions

Download CAD data → www.festo.com

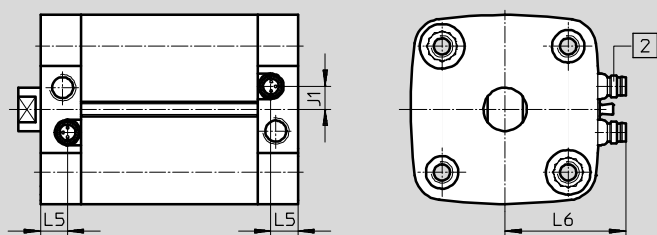
Basic version



1 Socket head screw with female thread for mounting attachments

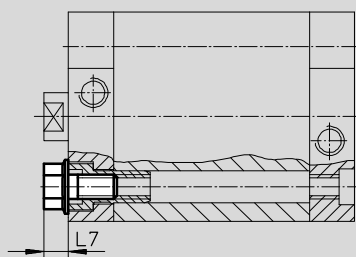
+ = plus stroke length

With position sensing integrated in the end positions



1 Miniature plug connector, 3-pin, with integrated proximity sensor (order code SME) suitable for cable with socket SIM-K...-CDN

Projection of blanking screw




Compact cylinders CDC, ISO 21287, Clean Design

Technical data

| ∅ [mm] | BG | D5 F9 | E | EE | G | J1 ±0.1 | J3 ±0.1 | L2 | L3 | L4 |
|-----------|------|----------|-------|------|----|------------|------------|----|-----|----|
| 20 | 19.5 | 9 | 36.8 | M5 | 12 | - | - | 37 | 4.4 | 5 |
| 25 | | | 41.8 | | | - | - | 39 | | |
| 32 | 26 | | 49.8 | G1/8 | 15 | 5.8 | 7 | 44 | | |
| 40 | | 57.8 | 8 | | | 8 | 45 | | | |
| 50 | 27 | 69.7 | 8.5 | | | | 49 | | | |
| 63 | | 81.3 | 12 | | | | 54 | 8 | - | |
| 80 | | - | 100.4 | 16.5 | 15 | - | | | | |

| ∅ [mm] | L5 | L6 ±2 | L7 | MM ∅ h8 | PL ±0.1 | RT | TG | ZJ +1 | ⊖G1 h13 |
|-----------|------|----------|------|---------------|------------|----|------|----------|------------|
| 20 | - | - | 7 | 10 | 6 | M5 | 22 | 42.7 | 9 |
| 25 | | | 26 | 44.7 | | | | | |
| 32 | 10 | 35 | 8.7 | 12 | 8.2 | M6 | 32.5 | 50.2 | 10 |
| 40 | | 39 | | | | | 38 | 51.2 | |
| 50 | | 45 | 10.3 | 16 | | M8 | 46.5 | 53.2 | 13 |
| 63 | | 50 | | | | | 56.5 | 57.2 | |
| 80 | 11.5 | 60 | 11.9 | 20 | M10 | 72 | 63 | 17 | |

 - Note
 The following maximum stroke lengths apply in combination with a swivel mounting on the end cap:

| ∅ [mm] | 20 | 25 | 32 | 40 | 50 | 63 | 80 |
|--------------------|----|----|-----|----|----|----|-----|
| Max. stroke length | 50 | | 100 | | | | 150 |

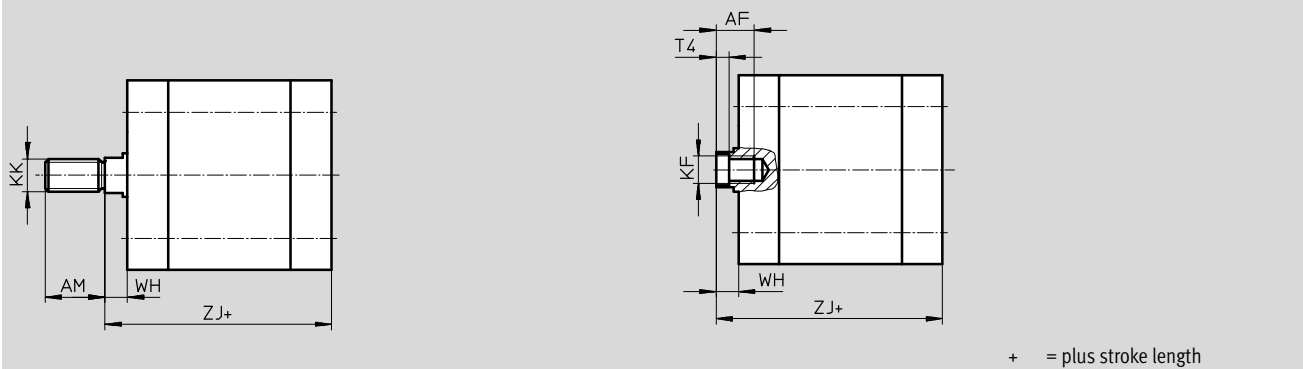
Compact cylinders CDC, ISO 21287, Clean Design

Technical data

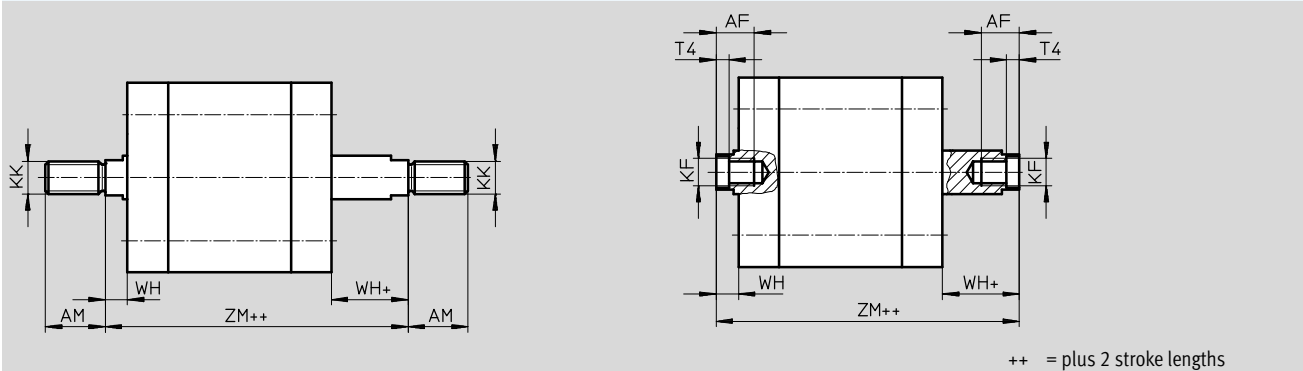
Dimensions – Variants

Download CAD data → www.festo.com

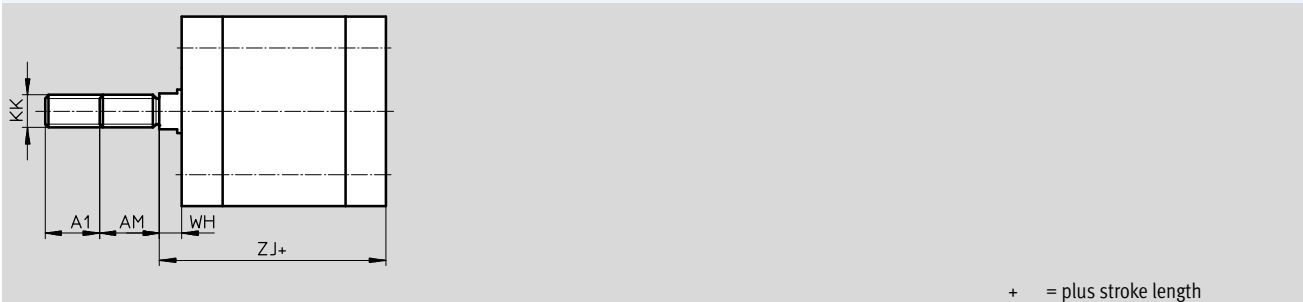
Basic version



S2 – Through piston rod



K2 – Extended male piston rod thread



| ∅ | A1 | AF | AM | KF | KK | T4 | WH | ZJ | ZM |
|------|----------|------|------|----------|----------|-----|------|------|------|
| [mm] | | min. | -0.5 | | | | +1 | +1 | |
| 20 | 1 ... 20 | 14 | 16 | M6 | M8 | 2.6 | 5.7 | 42.7 | 49.8 |
| 25 | | | | | | | | 44.7 | 51.8 |
| 32 | | 16 | 19 | M8 | M10x1.25 | 3.3 | 6.2 | 50.2 | 57.8 |
| 40 | | | | | | | | 51.2 | 58.9 |
| 50 | | | | | | | | 53.2 | 63.1 |
| 63 | 20 | 22 | M10 | M12x1.25 | 4.7 | 8.2 | 57.2 | 66.9 | |
| 80 | | | | | | | 63 | 73.5 | |
| | 1 ... 30 | | 28 | M12 | M16x1.5 | 6.1 | 9 | | |

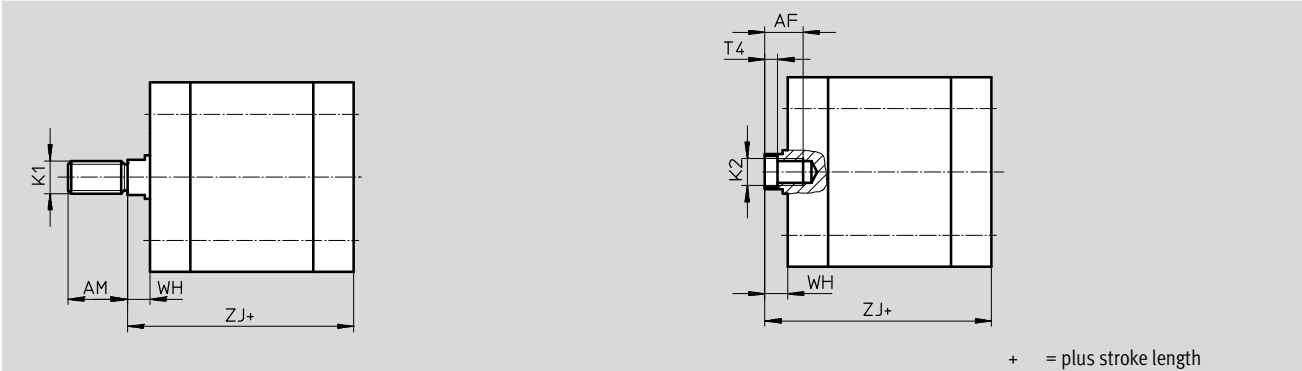
Compact cylinders CDC, ISO 21287, Clean Design

Technical data

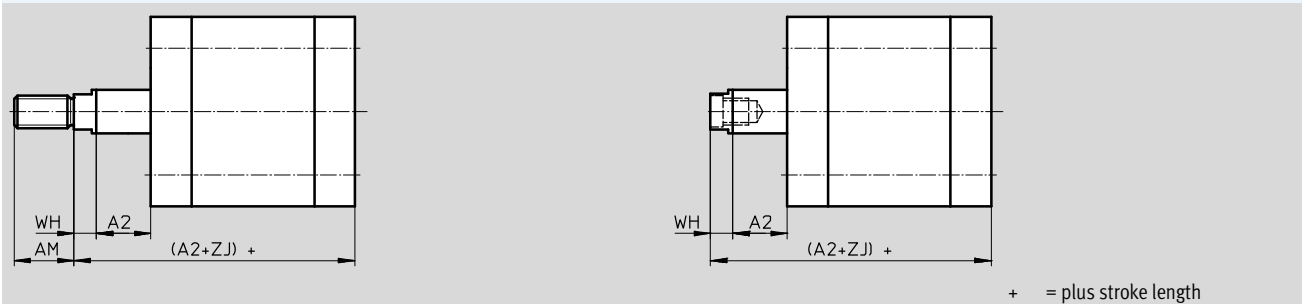
Dimensions – Variants

Download CAD data → www.festo.com

K5 – Special thread on piston rod



K8 – Extended piston rod

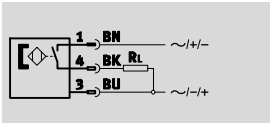


| ∅ | AF | A2 | AM | K1 | K2 | T4 | WH | ZJ |
|------|------|-----------|------|---------------|----|-----|-----|-----------|
| [mm] | min. | | -0.5 | | | | +1 | +1 |
| 20 | 14 | 1 ... 300 | 16 | M10, M10x1.25 | M5 | 2.6 | 5.7 | 42.7 |
| 25 | | | | | | | | 44.7 |
| 32 | 16 | 1 ... 400 | 19 | M10, M12 | M6 | 3.3 | 6.2 | 50.2 |
| 40 | | | | | | | | 51.2 |
| 50 | 20 | 1 ... 400 | 22 | M12, M12 | M8 | 4.7 | 8.2 | 53.2 |
| 63 | | | | | | | | 57.2 |
| 80 | | | | | | | | 1 ... 500 |

Compact cylinders CDC, ISO 21287, Clean Design

Technical data

Proximity sensor,
magnetic reed
(order code SME)



Note

The proximity sensor can only be ordered in conjunction with the order code AIB, AIV and AIH (integrated position sensing) in the modular product system.



| Technical data | | |
|--|-----------------------------|---|
| General information | | |
| Design | Integrated | |
| Based on standard | EN 60947-5-2 | |
| CE mark (see declaration of conformity) | To EU EMC Directive | |
| Note on materials | Free of copper and PTFE | |
| Input signal/measuring element | | |
| Measuring principle | Magnetic reed | |
| Ambient temperature | [°C] | -20 ... +60 |
| Switching output | | |
| Switching output | Contacting, bipolar | |
| Switching element function | N/O contact | |
| Reproducibility of switching point | [mm] | ±0.1 |
| Hysteresis | [mm] | 1 ... 4, depending on the cylinder used |
| Switch-on time | [ms] | 0.5 |
| Switch-off time | [ms] | 0.5 |
| Max. output current | [mA] | 500 |
| Max. switching capacity AC | [W] | 10 VA |
| Max. switching capacity DC | [W] | 10 W |
| Inductive protective circuit | Adapted to MZ coil with LED | |
| Residual current | [mA] | 0 |
| Output, further data | | |
| Protection against short circuit | No | |
| Protection against overloading | No | |
| Electronic components | | |
| Operating voltage range | [V AC] | 12 ... 30 |
| | [V DC] | 12 ... 30 |
| Protection against polarity reversal | No | |
| Electromechanical components | | |
| Electrical connection | Plug, M8x1, 3-pin | |
| Connection direction | Lateral | |
| Information on crimp connector materials | Gold-plated brass | |

Compact cylinders CDC, ISO 21287, Clean Design

Technical data

| Technical data | | |
|--|------|---|
| Mechanical components | | |
| Tightening torque | [Nm] | 0.3 |
| Mounting position | | Any |
| Product weight | [g] | 2.7 |
| Information on housing materials | | Polyamide, epoxy resin, nickel-plated brass |
| Display/operation | | |
| Switching status display | | Yellow LED |
| Immissions/emissions | | |
| Degree of protection | | IP65, IP67 to EN 60529 |
| | | IP69K, to DIN 40050 Part 9 |
| | | Only in conjunction with plug socket with cable SIM-K-...-CDN |
| Corrosion resistance class CRC ¹⁾ | | 3 |

1) Corrosion resistance class CRC 3 to Festo standard FN 940070
 High corrosion stress. Outdoor exposure under moderate corrosive conditions. External visible parts with primarily functional requirements for the surface and which are in direct contact with a normal industrial environment.

Compact cylinders CDC, ISO 21287, Clean Design



Ordering data – Modular products

| Ordering table | | | | | | | | | | |
|---------------------|---|---------------|--------------------------|---------------|---------------|---------------|---------------|-----------------|-------------|---------------|
| Size | 20 | 25 | 32 | 40 | 50 | 63 | 80 | Condi- tions | Code | Enter code |
| M Module No. | 543305 | 543306 | 543307 | 543308 | 543309 | 543310 | 543311 | | | |
| Function | Standard cylinder, double-acting, based on ISO 21287 (Clean Design) | | | | | | | | CDC | CDC |
| Piston Ø [mm] | 20 | 25 | 32 | 40 | 50 | 63 | 80 | | -... | |
| Stroke [mm] | 1 ... 300 | | 1 ... 400 | | | | 1 ... 500 | | -... | |
| Piston rod thread | Male thread | | | | | | | | -A | |
| | Female thread | | | | | | | 1 | -I | |
| Cushioning | Flexible cushioning rings/pads at both ends | | | | | | | | -P | -P |
| Position sensing | Without position sensing | | - | - | - | - | - | | | |
| | - | | For proximity sensor | | | | | | -A | |
| | - | | At both ends, integrated | | | | | 2 | -AIB | |
| | - | | Front, integrated | | | | | 2 | -AIV | |
| | - | | Rear, integrated | | | | | 2 | -AIH | |

1 I Not with extended male thread K2

2 **AIB, AIV, AIH** Only with proximity sensor SME, SMT

M Mandatory data

O Options

Transfer order code

Compact cylinders CDC, ISO 21287, Clean Design

Ordering data – Modular products

| Ordering table | | | | | | | | | | | |
|--------------------------------|--|-----------------|--|------------|----|------------|-----------|-----------------|--------|---------------|--|
| Size | 20 | 25 | 32 | 40 | 50 | 63 | 80 | Condi- tions | Code | Enter code | |
| O Proximity sensor | – | – | SME (contacting) | | | | | 3 | -SME | | |
| Sensor mounting rail | – | – | Sensor mounting rail for external position sensing | | | | | 4 | -R | | |
| Type of piston rod | Through piston rod | | | | | | | | -S2 | | |
| Male thread extended [mm] | Extended male piston rod thread 1 ... 20 | | | | | | 1 ... 30 | | -...K2 | | |
| Piston rod with special thread | Male thread | M10x1.25 M10 | | M10 M12 | | M12 M16 | | M16 M20 | | -“...”K5 | |
| | Female thread | M5 | | M6 | | M8 | | M10 | | | |
| Piston rod extended [mm] | Extended piston rod 1 ... 300 | | | 1 ... 400 | | | 1 ... 500 | 5 | -...K8 | | |
| Temperature resistance | Heat-resistant seals for temperatures up to 120 °C | | | | | | | 6 | -S6 | | |

3 SME Only with position sensing AIB, AIV, AIH
Minimum stroke 15 mm

5 K8 The sum of the stroke length and piston rod extension must not exceed the maximum permissible stroke length

4 R Must be selected with size 32, 40, 50, 63, 80

6 S6 Not with position sensing AIB, AIV, AIH

M Mandatory data

O Options

Transfer order code

- [] - [] - [] - [] - [] - [] - [] - []

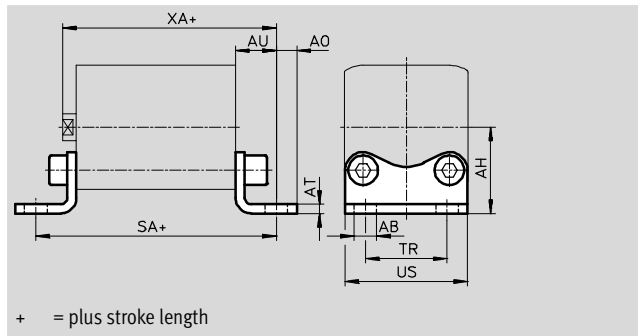
Compact cylinders CDC, ISO 21287, Clean Design



Accessories

Foot mounting HNA-...-R3

Material:
Steel with protective coating
Free of copper and PTFE
RoHS-compliant



| Dimensions and ordering data | | | | | | | |
|------------------------------|----------------------|------|------|-----------|-----------|-----|-----------|
| For \varnothing | AB | AH | AO | AT | AU | SA | TR |
| [mm] | \varnothing H14 | JS14 | | ± 0.5 | ± 0.2 | | ± 0.2 |
| 20 | 7 | 27 | 6.25 | 4 | 16 | 69 | 22 |
| 25 | | 29 | | | | 71 | 26 |
| 32 | | 33.5 | | | | 76 | 32 |
| 40 | 10 | 38 | 9 | 5 | 18 | 81 | 36 |
| 50 | | 45 | 8 | | 21 | 87 | 45 |
| 63 | | 50 | 91 | | 50 | | |
| 80 | 12 | 63 | 10.5 | 6 | 26 | 106 | 63 |

| For \varnothing | US | XA | CRC ¹⁾ | Weight | Part No. | Type |
|-------------------|------|----|-------------------|--------|----------|-----------|
| [mm] | -0.5 | | | [g] | | |
| 20 | 34.5 | 59 | 3 | 84 | 537254 | HNA-20-R3 |
| 25 | 38.5 | 61 | 3 | 90 | 537255 | HNA-25-R3 |
| 32 | 46 | 66 | 3 | 123 | 537256 | HNA-32-R3 |
| 40 | 54 | 69 | 3 | 157 | 537257 | HNA-40-R3 |
| 50 | 64 | 74 | 3 | 278 | 537258 | HNA-50-R3 |
| 63 | 75 | 78 | 3 | 328 | 537259 | HNA-63-R3 |
| 80 | 93 | 89 | 3 | 634 | 537260 | HNA-80-R3 |

1) Corrosion resistance class CRC 3 to Festo standard FN 940070
High corrosion stress. Outdoor exposure under moderate corrosive conditions. External visible parts with primarily functional requirements for the surface and which are in direct contact with a normal industrial environment.

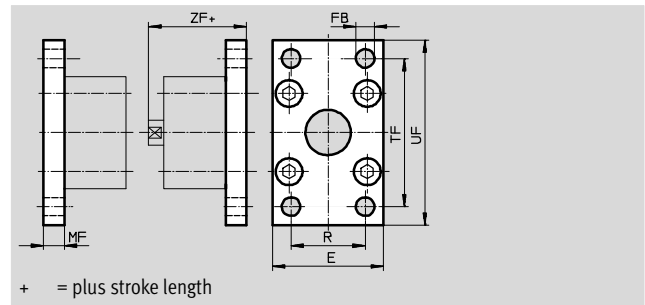
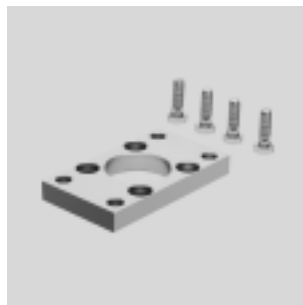
- Note
Screws with special lengths are required to fit the sizes \varnothing 80 mm
→ page 23

Compact cylinders CDC, ISO 21287, Clean Design

Accessories

Flange mounting CRFNG

Material:
High-alloy steel
Free of copper and PTFE



| Dimensions and ordering data | | | | | | |
|------------------------------|----|----------------------|----|----|-----|-----|
| For \varnothing | E | FB | MF | R | TF | UF |
| [mm] | | \varnothing H13 | | | | |
| 32 | 45 | 7 | 10 | 32 | 64 | 80 |
| 40 | 54 | 9 | 10 | 36 | 72 | 90 |
| 50 | 65 | 9 | 12 | 45 | 90 | 110 |
| 63 | 75 | 9 | 12 | 50 | 100 | 120 |
| 80 | 93 | 12 | 16 | 63 | 126 | 150 |

| Dimensions and ordering data | | | | | |
|------------------------------|----|-------------------|--------|----------|----------|
| For \varnothing | ZF | CRC ¹⁾ | Weight | Part No. | Type |
| [mm] | | | [g] | | |
| 32 | 54 | 4 | 220 | 161846 | CRFNG-32 |
| 40 | 55 | 4 | 291 | 161847 | CRFNG-40 |
| 50 | 57 | 4 | 526 | 161848 | CRFNG-50 |
| 63 | 61 | 4 | 680 | 161849 | CRFNG-63 |
| 80 | 70 | 4 | 1508 | 161850 | CRFNG-80 |

1) Corrosion resistance class CRC 4 to Festo standard FN 940070
Particularly high corrosion stress. Outdoor exposure under extreme corrosive conditions. Parts exposed to aggressive media, for instance in the chemical or food industries. These applications may need to be supported by special tests (→ also FN 940082) using appropriate media.

Note
Screws with special lengths are required to fit the sizes \varnothing 80 mm
→ page 23

Compact cylinders CDC, ISO 21287, Clean Design



Accessories

Trunnion flange CRZNG

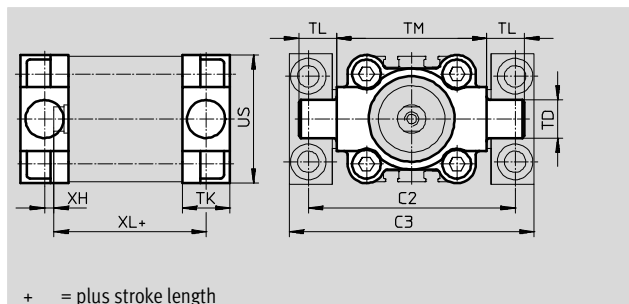
Material:

CRZNG: Electrolytically polished

special steel casting

Free of copper and PTFE

RoHS-compliant



| Dimensions and ordering data | | | | | | | | | | | | | |
|------------------------------|-----|-----|---------------------|----|----|-----|----|----|----|-------------------|--------|---------------|-----------------|
| For \varnothing | C2 | C3 | TD | TK | TL | TM | US | XH | XL | CRC ¹⁾ | Weight | Part No. | Type |
| [mm] | | | \varnothing e9 | | | | | | | | | | |
| 32 | 71 | 86 | 12 | 16 | 12 | 50 | 45 | 2 | 52 | 4 | 150 | 161852 | CRZNG-32 |
| 40 | 87 | 105 | 16 | 20 | 16 | 63 | 54 | 4 | 55 | 4 | 285 | 161853 | CRZNG-40 |
| 50 | 99 | 117 | 16 | 24 | 16 | 75 | 64 | 4 | 57 | 4 | 473 | 161854 | CRZNG-50 |
| 63 | 116 | 136 | 20 | 24 | 20 | 90 | 75 | 4 | 61 | 4 | 687 | 161855 | CRZNG-63 |
| 80 | 136 | 156 | 20 | 28 | 20 | 110 | 93 | 5 | 81 | 4 | 1296 | 161856 | CRZNG-80 |

- 1) Corrosion resistance class CRC 4 to Festo standard FN 940070
 Particularly high corrosion stress. Outdoor exposure under extreme corrosive conditions. Parts exposed to aggressive media, for instance in the chemical or food industries. These applications may need to be supported by special tests (→ also FN 940082) using appropriate media.

- Note
 Screws with special lengths are required to fit the sizes \varnothing 80 mm
 → page 23

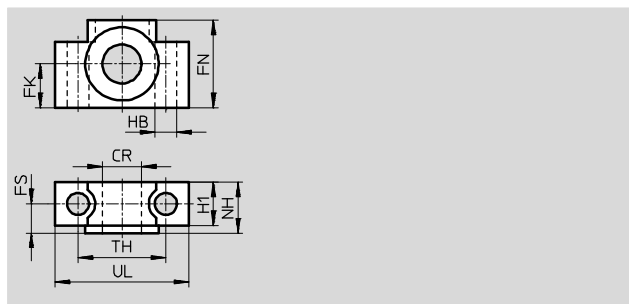
Trunnion supports CRLNZG

Material:

High-alloy steel

Free of copper and PTFE

RoHS-compliant



| Dimensions and ordering data | | | | | | | | | | | | | |
|------------------------------|----------------------|-----------------------|----|------|----|----------------------|----|------|----|-------------------|--------|---------------|---------------------|
| For \varnothing | CR | FK | FN | FS | H1 | HB | NH | TH | UL | CRC ¹⁾ | Weight | Part No. | Type |
| [mm] | \varnothing D11 | \varnothing ±0.1 | | | | \varnothing H13 | | ±0.2 | | | [g] | | |
| 32 | 12 | 15 | 30 | 10.5 | 15 | 6.6 | 18 | 32 | 46 | 4 | 205 | 161874 | CRLNZG-32 |
| 40, 50 | 16 | 18 | 36 | 12 | 18 | 9 | 21 | 36 | 55 | 4 | 323 | 161875 | CRLNZG-40/50 |
| 63, 80 | 20 | 20 | 40 | 13 | 20 | 11 | 23 | 42 | 65 | 4 | 435 | 161876 | CRLNZG-63/80 |

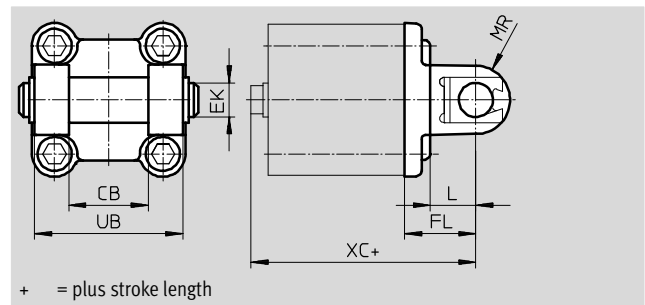
- 1) Corrosion resistance class CRC 4 to Festo standard FN 940070
 Particularly high corrosion stress. Outdoor exposure under extreme corrosive conditions. Parts exposed to aggressive media, for instance in the chemical or food industries. These applications may need to be supported by special tests (→ also FN 940082) using appropriate media.

Compact cylinders CDC, ISO 21287, Clean Design

Accessories

Swivel flange SNCB-...-R3

Material:
Die-cast aluminium with protective coating, high corrosion protection
Free of copper and PTFE
RoHS-compliant



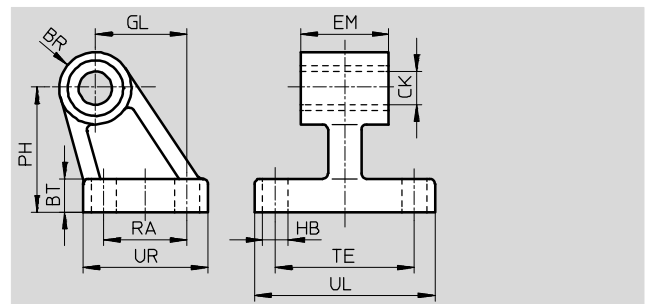
| Dimensions and ordering data | | | | | | | | | | | |
|------------------------------|-----|---------------------|-----------------|----|-----|-----------|----|-------------------|---------------|----------|------------|
| For \varnothing | CB | EK \varnothing | FL ± 0.2 | L | MR | UB h14 | XC | CRC ¹⁾ | Weight [g] | Part No. | Type |
| [mm] | H14 | e8 | | | | | | | | | |
| 32 | 26 | 10 | 22 | 13 | 8.5 | 45 | 72 | 3 | 100 | 176944 | SNCB-32-R3 |
| 40 | 28 | 12 | 25 | 16 | 12 | 52 | 76 | 3 | 151 | 176945 | SNCB-40-R3 |
| 50 | 32 | 12 | 27 | 16 | 12 | 60 | 80 | 3 | 228 | 176946 | SNCB-50-R3 |
| 63 | 40 | 16 | 32 | 21 | 16 | 70 | 89 | 3 | 371 | 176947 | SNCB-63-R3 |
| 80 | 50 | 16 | 36 | 22 | 16 | 90 | 99 | 3 | 632 | 176948 | SNCB-80-R3 |

1) Corrosion resistance class CRC 3 to Festo standard FN 940070
High corrosion stress. Outdoor exposure under moderate corrosive conditions. External visible parts with primarily functional requirements for the surface and which are in direct contact with a normal industrial environment.

- Note
Screws with special lengths are required to fit the sizes \varnothing 80 mm
➔ page 23

Clevis foot CRLNG

Material:
High-alloy steel
Free of copper and PTFE



| Dimensions and ordering data | | | | | | | | | | | | | | | |
|------------------------------|----|----|---------------------|------|----|---------------------|----|----|----|----|----|-------------------|---------------|----------|----------|
| For \varnothing | BR | BT | CK \varnothing | EM | GL | HB \varnothing | PH | RA | TE | UL | UR | CRC ¹⁾ | Weight [g] | Part No. | Type |
| [mm] | | | D11 | -0.4 | | H13 | | | | | | | | | |
| 32 | 10 | 8 | 10 | 25.8 | 21 | 6.6 | 32 | 18 | 38 | 51 | 31 | 4 | 120 | 161840 | CRLNG-32 |
| 40 | 11 | 10 | 12 | 27.8 | 24 | 6.6 | 36 | 22 | 41 | 54 | 35 | 4 | 161 | 161841 | CRLNG-40 |
| 50 | 12 | 12 | 12 | 31.8 | 33 | 9 | 45 | 30 | 50 | 65 | 45 | 4 | 281 | 161842 | CRLNG-50 |
| 63 | 15 | 12 | 16 | 39.8 | 37 | 9 | 50 | 35 | 52 | 67 | 50 | 4 | 370 | 161843 | CRLNG-63 |
| 80 | 15 | 14 | 16 | 49.8 | 47 | 11 | 63 | 40 | 66 | 86 | 60 | 4 | 562 | 161844 | CRLNG-80 |

1) Corrosion resistance class CRC 4 to Festo standard FN 940070
Particularly high corrosion stress. Outdoor exposure under extreme corrosive conditions. Parts exposed to aggressive media, for instance in the chemical or food industries. These applications may need to be supported by special tests (➔ also FN 940082) using appropriate media.

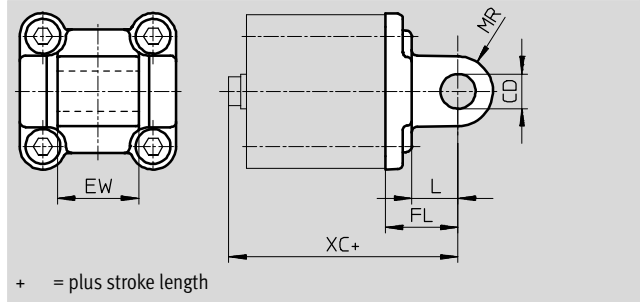
Compact cylinders CDC, ISO 21287, Clean Design

Accessories



Swivel flange SNCL-...-R3

Material:
 SNCL-...-R3: Die-cast aluminium with protective coating
 Free of copper and PTFE
 RoHS-compliant

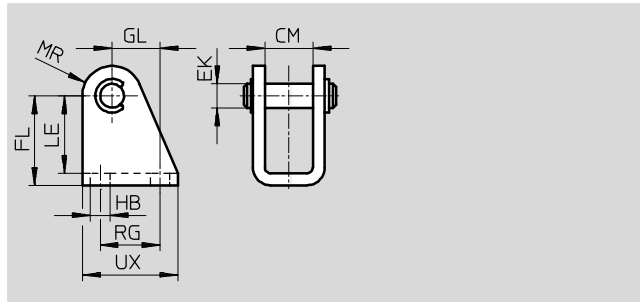


| Dimensions and ordering data | | | | | | | | | | |
|------------------------------|---------------------|-----|-----------|----|----|----|-------------------|--------|---------------|-------------------|
| For \varnothing | CD | EW | FL | L | MR | XC | CRC ¹⁾ | Weight | Part No. | Type |
| [mm] | \varnothing H9 | h12 | ± 0.2 | | | | | [g] | | |
| 20 | 8 | 16 | 20 | 14 | 8 | 63 | 3 | 38 | 537796 | SNCL-20-R3 |
| 25 | | | | | | 65 | 3 | 41 | 537797 | SNCL-25-R3 |

1) Corrosion resistance class CRC 3 to Festo standard FN 940070
 High corrosion stress. Outdoor exposure under moderate corrosive conditions. External visible parts with primarily functional requirements for the surface and which are in direct contact with a normal industrial environment.

Clevis foot CRLBN, stainless steel

Material:
 High-alloy steel
 Free of copper and PTFE

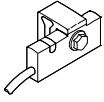




| Dimensions and ordering data | | | | | | | | | | | | | |
|------------------------------|------|---------------|--------------|----|-----|----|----|----|----|-------------------|--------|---------------|--------------------|
| For \varnothing | CM | EK | FL | GL | HB | LE | MR | RG | UX | CRC ¹⁾ | Weight | Part No. | Type |
| [mm] | | \varnothing | | | | | | | | | [g] | | |
| 20/25 | 16.1 | 8 | 30 +0.4/-0.2 | 16 | 6.6 | 26 | 10 | 20 | 32 | 4 | 82 | 161863 | CRLBN-20/25 |

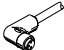
1) Corrosion resistance class CRC 4 to Festo standard FN 940070
 Particularly high corrosion stress. Outdoor exposure under extreme corrosive conditions. Parts exposed to aggressive media, for instance in the chemical or food industries. These applications may need to be supported by special tests (→ also FN 940082) using appropriate media.

Compact cylinders CDC, ISO 21287, Clean Design

Accessories

| Ordering data – Proximity sensors for T-slot, magneto-resistive | | | | | Technical data → Internet: smt | |
|---|---------------------------------|------------------|-----------------------|------------------|--------------------------------|--------------------------------|
| | Type of mounting | Switching output | Electrical connection | Cable length [m] | Part No. | Type |
| N/O contact | | | | | | |
|  | Is mounted on the mounting rail | PNP | Cable, 3-wire | 5.0 | 571339 | SMT-C1-PS-24V-K-5,0-OE |
| | | | Plug M8x1, 3-pin | 0.3 | 571342 | SMT-C1-PS-24V-K-0,3-M8D |
| | | | Plug M12x1, 3-pin | 0.3 | 571341 | SMT-C1-PS-24V-K-0,3-M12 |




| Ordering data – Connecting cables for SMT-C1-... | | | | Technical data → Internet: nebu | |
|---|-------------------------------|------------------------------|------------------|---------------------------------|-----------------------------|
| | Electrical connection, left | Electrical connection, right | Cable length [m] | Part No. | Type |
|  | Straight socket, M8x1, 3-pin | Cable, open end, 3-wire | 2.5 | 541333 | NEBU-M8G3-K-2.5-LE3 |
| | | | 5 | 541334 | NEBU-M8G3-K-5-LE3 |
| | Straight socket, M12x1, 5-pin | Cable, open end, 3-wire | 2.5 | 541363 | NEBU-M12G5-K-2.5-LE3 |
| | | | 5 | 541364 | NEBU-M12G5-K-5-LE3 |
|  | Angled socket, M8x1, 3-pin | Cable, open end, 3-wire | 2.5 | 541338 | NEBU-M8W3-K-2.5-LE3 |
| | | | 5 | 541341 | NEBU-M8W3-K-5-LE3 |
| | Angled socket, M12x1, 5-pin | Cable, open end, 3-wire | 2.5 | 541367 | NEBU-M12W5-K-2.5-LE3 |
| | | | 5 | 541370 | NEBU-M12W5-K-5-LE3 |

| Ordering data – Connecting cables for integrated proximity sensor | | | | Technical data → Internet: sim | |
|---|-----------------------------|------------------------------|------------------|--------------------------------|----------------------|
| | Electrical connection, left | Electrical connection, right | Cable length [m] | Part No. | Type |
|  | Angled socket, clip, 3-pin | Cable, open end, 3-wire | 5 | 164254 | SIM-K-WD-5-PU |



Compact cylinders CDC, ISO 21287, Clean Design

Accessories

FESTO

| Ordering data – Push-in fittings | | | | | Technical data → Internet: qs | | |
|---|------------|-------------|--|------------|-------------------------------|--------------------------|------------------|
| | Connection | | Material | Weight [g] | Part No. | Type | PU ³⁾ |
| | Thread | Tubing O.D. | | | | | |
| With external hex | | | | | | | |
|  | M5 | 4 | Brass, nickel-plated and chrome-plated | – | 578334 | NPQH-D-M5-Q4-P10 | 10 |
| | | 6 | | – | 578335 | NPQH-D-M5-Q6-P10 | |
| | G1/8 | 4 | | 6.1 | 578338 | NPQH-D-G18-Q4-P10 | |
| | | 6 | | 9 | 578339 | NPQH-D-G18-Q6-P10 | |
| | | 8 | | 11.4 | 578340 | NPQH-D-G18-Q8-P10 | |
|  | M5 | 4 | Stainless steel | 6 | 162860 | CRQS-M5-4 ¹⁾ | 1 |
| | | 6 | | 8.4 | 162861 | CRQS-M5-6 ¹⁾ | |
| | R1/8 | 6 | | 9.9 | 162862 | CRQS-1/8-6 ²⁾ | |
| | | 8 | | 12 | 162863 | CRQS-1/8-8 ²⁾ | |
| With internal hex | | | | | | | |
|  | M5 | 4 | Brass, nickel-plated and chrome-plated | 4.6 | 578370 | NPQH-DK-M5-Q4-P10 | 10 |
| | | 6 | | 8.6 | 578371 | NPQH-DK-M5-Q6-P10 | |
| | G1/8 | 4 | | – | 578374 | NPQH-DK-G18-Q4-P10 | |
| | | 6 | | – | 578375 | NPQH-DK-G18-Q6-P10 | |
| | | 8 | | – | 578376 | NPQH-DK-G18-Q8-P10 | |


- 1) With sealing ring
- 2) With PTFE coating
- 3) Packaging unit quantity


| Ordering data – Push-in L-fittings | | | | | Technical data → Internet: qs | | |
|---|------------|-------------|--|------------|-------------------------------|---------------------------|------------------|
| | Connection | | Material | Weight [g] | Part No. | Type | PU ³⁾ |
| | Thread | Tubing O.D. | | | | | |
| With external hex | | | | | | | |
|  | M5 | 4 | Brass, nickel-plated and chrome-plated | 8.8 | 578276 | NPQH-L-M5-Q4-P10 | 10 |
| | | 6 | | 11.9 | 578277 | NPQH-L-M5-Q6-P10 | |
| | G1/8 | 4 | | 15.7 | 578280 | NPQH-L-G18-Q4-P10 | |
| | | 6 | | 18.5 | 578281 | NPQH-L-G18-Q6-P10 | |
| | | 8 | | 22 | 578282 | NPQH-L-G18-Q8-P10 | |
|  | M5 | 4 | Stainless steel | 12 | 162870 | CRQSL-M5-4 ¹⁾ | 1 |
| | | 6 | | 18 | 162871 | CRQSL-M5-6 ¹⁾ | |
| | R1/8 | 6 | | 19 | 162872 | CRQSL-1/8-6 ²⁾ | |
| | | 8 | | 26 | 162873 | CRQSL-1/8-8 ²⁾ | |


- 1) With sealing ring
- 2) With PTFE coating
- 3) Packaging unit quantity

Compact cylinders CDC, ISO 21287, Clean Design

Accessories

| Ordering data – Plastic tubing, standard O.D. | | Technical data → Internet: tubing | |
|---|---|-----------------------------------|--|
| | | Type | |
|  | Good resistance to chemicals and hydrolysis | PLN | |
| | Pneumatic tubing with resistance to high temperatures and chemicals | PFAN | |
| | Approved for use in the food industry and hydrolysis-resistant | PUN-H | |

| Ordering data – One-way flow control valves | | | | Technical data → Internet: crgla | | |
|---|------------|---------------------|---|----------------------------------|----------|-------------|
|  | Connection | | Material | Weight [g] | Part No. | Type |
| | Thread | For push-in fitting | | | | |
| | M5 | CRQS/CRQSL/CRQST, | Electrolytically polished special steel casting | 10,2 | 161403 | CRGRLA-M5-B |
| | G1/8 | QS | | 37,8 | | |


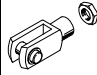
| Ordering data – Blanking screws, corrosion-resistant | | | | | | | |
|---|--------|------------------|-------------------|------------|----------|--------------------------------|------------------|
|  | For Ø | Material | CRC ¹⁾ | Weight [g] | Part No. | Type | PU ³⁾ |
| | 20, 25 | High-alloy steel | 3 | 5.5 | 543714 | DAMD-P-M5-10-R1 ²⁾ | 4 |
| | 32, 40 | | | 9 | 543715 | DAMD-P-M6-12-R1 ²⁾ | |
| | 50, 63 | | | 17.5 | 543716 | DAMD-P-M8-16-R1 ²⁾ | |
| | 80 | | | 30 | 543717 | DAMD-P-M10-16-R1 ²⁾ | |


1) Corrosion resistance class CRC 3 to Festo standard FN 940070

High corrosion stress. Outdoor exposure under moderate corrosive conditions. External visible parts with primarily functional requirements for the surface and which are in direct contact with a normal industrial environment.

2) With sealing ring

3) Packaging unit quantity

| Ordering data – Corrosion and acid-resistant piston rod attachments | | | | Technical data → Internet: crsg | | | |
|---|--------|----------|----------------|---|--------|----------|---------------|
| Designation | For Ø | Part No. | Type | Designation | For Ø | Part No. | Type |
| Rod eye CRSGS | | | | Rod clevis CRSG | | | |
|  | 20, 25 | 195581 | CRSGS-M8 |  | 20, 25 | 13568 | CRSG-M8 |
| | 32, 40 | 195582 | CRSGS-M10x1,25 | | 32, 40 | 13569 | CRSG-M10x1,25 |
| | 50, 63 | 195583 | CRSGS-M12x1,25 | | 50, 63 | 13570 | CRSG-M12x1,25 |
| | 80 | 195584 | CRSGS-M16x1,5 | | 80 | 13571 | CRSG-M16x1,5 |

| Ordering data – Screws | | | | |
|---|-----------------|----------|---------------------|---|
| For Ø | For accessories | Part No. | PU ¹⁾ | |
|  | HNA-R3, SNCB-R3 | 372622 | DIN912-M10X30-A4-70 | 1 |
| | CRFNG | 8028230 | DIN912-M10X30-A4-70 | |
| | CRZNG | 744814 | DIN912-M10X40-A4-70 | |

1) Packaging unit quantity