

Certified according to DIN EN ISO 9001

Technical Datasheet



WIE-**

Local Converter with Interface

Description

The local converters type WIE-** are passive 4-20 mA sensors with inductive input stage. The pre-assembled sensor cable allows for a fast connection of the inductive sensor series "IF**".

Consequently the WIE-** sensor is able to measure and evaluate flow rates with a medium temperature up to +350°C.

In addition to the analogue output which is proportional to the flow rate the sensors provide a digital output, which can be used either as a switch or frequency output. The frequency output is freely scaleable and allows a standardisation of the frequency value.

The WIE-** have an interface integrated in the M12 sensor plug. The interface adapter CON.USB.WT and remote software KEM »Easy-Control« allow for programming the operating parameters and to read the input frequency and temperature.

Both analogue and frequency output can be linearized with up to 10 points. When ordered with a flow meter the WIE-** output will be adjusted to this meter.

Features

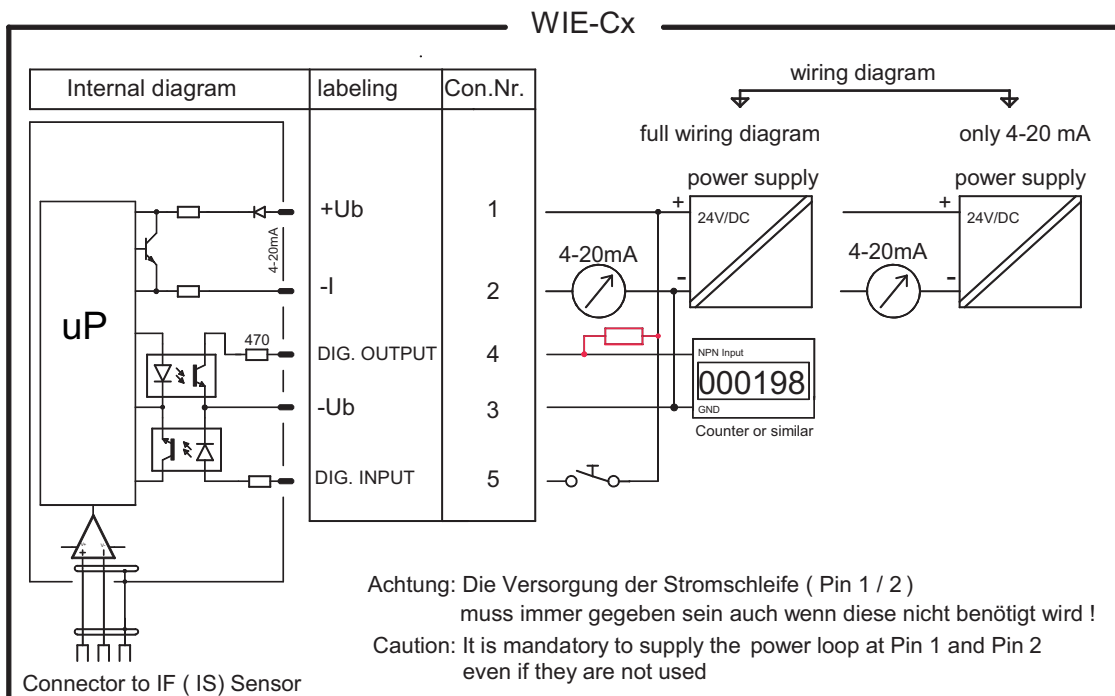
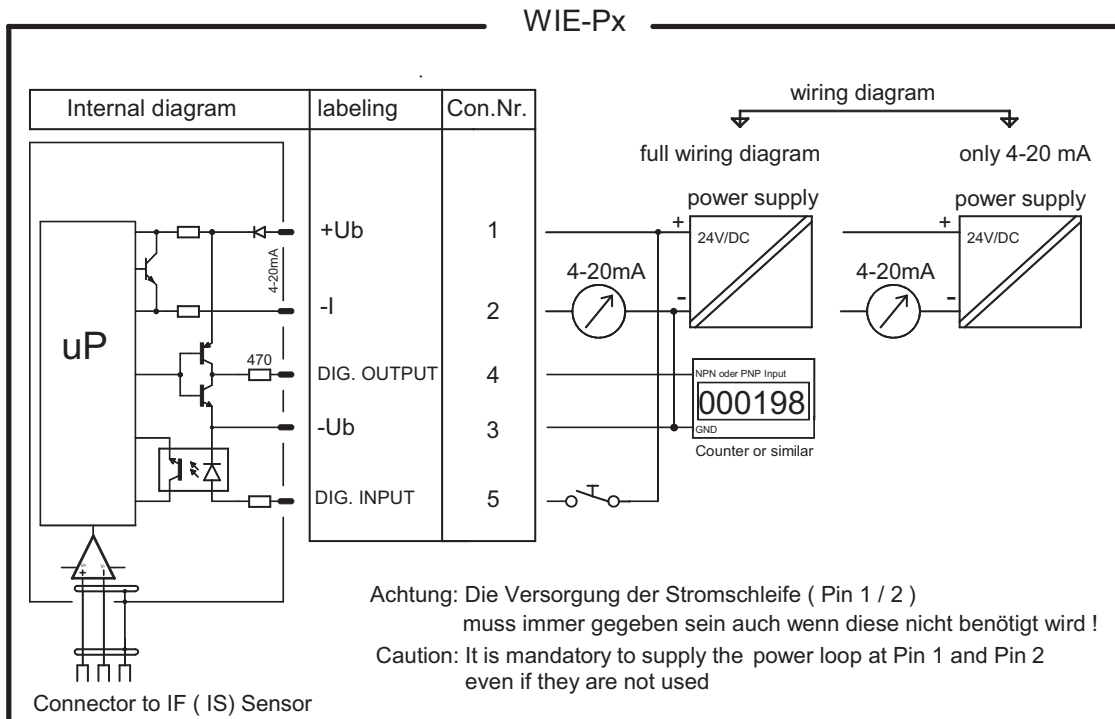
- Adjustment of operation mode
- Built in Interface
- Linearization of Current and Frequency Output

Accessories	
CON.USB.WT:	USB-adapter for WIE-** with output plug to loop through the analogue and frequency output. In the remote mode the WIE-** can be powered via the USB interface or via an external power supply.
Easy Control:	Remote software for WINDOWS®, VISTA and 7 (for WINDOWS® XP SP3 or N.NET-framework is required).
Other adapters and drivers on request.	

Technical Data

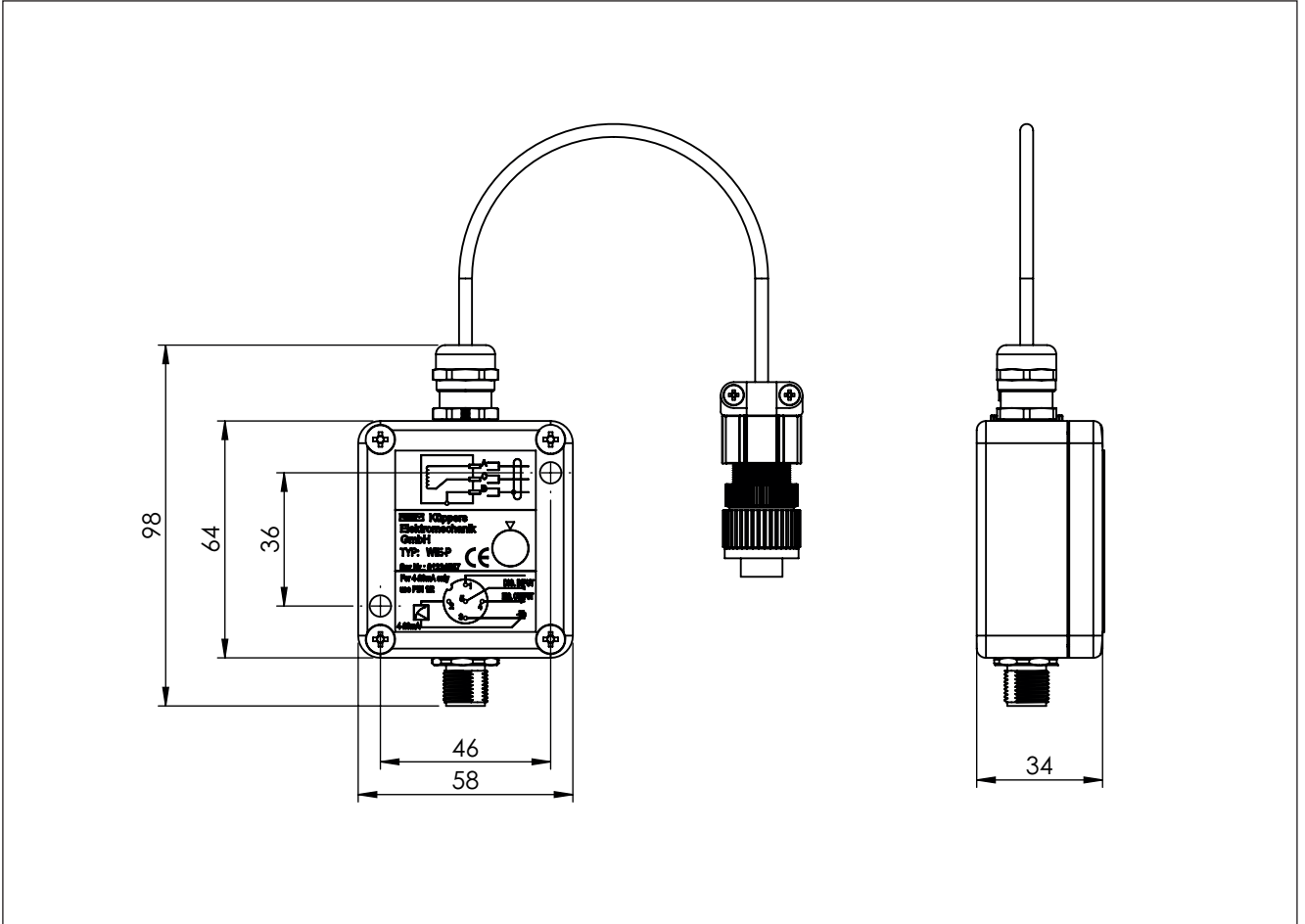
Analogue signal	Version C	Version P
Type	4-20 mA, 2-wire (passive)	
Resolution	5 μ A	
Supply voltage	12-30V, regulated	
Allowable load	(UB -12V) / 20 mA, max. 800 Ω	
Operating modes	ON (frequency proportional current) OFF (supply current 4 mA independent of frequency)	
Digital output	Version C	Version P
Type	Open Collector, potential free	Push Pull
Protective resistor	470 Ω	470 Ω
Supply voltage	< 35 V	see analogue signal
Load current	< 20 mA	
Frequency range	1-5.000 Hz	
Operating modes	OFF (frequency output disabled) 1:1 (output frequency = input frequency) CORR (scaleable output frequency) SW (switch output)	
Further specifications	Version C	Version P
Measuring frequency	7-3.000 Hz (typ 5 bis 5.000 Hz)	
Response time	250 ms (bei Eingangsfrequenzen > 7 Hz)	
Temperature drift	< 100 ppm/K	
Connection	1 = +I 2 = -I 3 = Emitter (Digital Ground) 4 = Collector (Digital OUT) 5 = Digital Input	1 = +Ub 2 = -I (4-20 mA) 3 = -Ub 4 = Push Pull (Digital OUT) 5 = Digital Input
Plug connection	Version 3: 3pin.; Aluminium; Type: MS3106A-10SL3P Version 4: 4pin. M12, Type:	
Cable length	1m	
Ambient temperature	-40 °C to +70 °C	
Dimensions	see dimensional drawing	
Material	Aluminium	
Protection class	IP 67	

Wiring diagram



WIE-** Local Converter with Interface

Dimensional Drawing (mm)



Ordering Information

WIE - * *

- _____ **Sensor Plug Connectors**
 - 3 = Amphenol 3pin
 - 4 = M12 4pin
- _____ **Digital Output**
 - P = Push Pull
 - C = Open Collector

KEM Headquarter

Liebigstraße 5
85757 Karlsfeld
Deutschland

T. +49 8131 59391-0
F. +49 8131 92604

info@kem-kueppers.com

KEM Service & Repairs

Wetzeller Straße 22
93444 Bad Kötzting
Deutschland

T. +49 9941 9423-0
F. +49 9941 9423-23

info@kem-kueppers.com

*More distributors & partners can be found at:
www.kem-kueppers.com*

Your local partner:



www.kem-kueppers.com

info@kem-kueppers.com