

Certified according to DIN EN ISO 9001

## Technical Datasheet



## VTB Local Display Unit Battery-powered

ATEX, IECEx - ExD Explosion Proof

## Description

The VTB is a programmable local display unit with integral carrier frequency pickup and amplifier to fit into a KEM flow meter. The VTB serves the evaluation of flow volumes: Measuring results are indicated in a 7 digits 7segments LCD display.



### Applications

- Chemical Injection
- Off-Shore und Öl & Gas Applikationen
- Stand-Alone Fluid Consumption Monitory

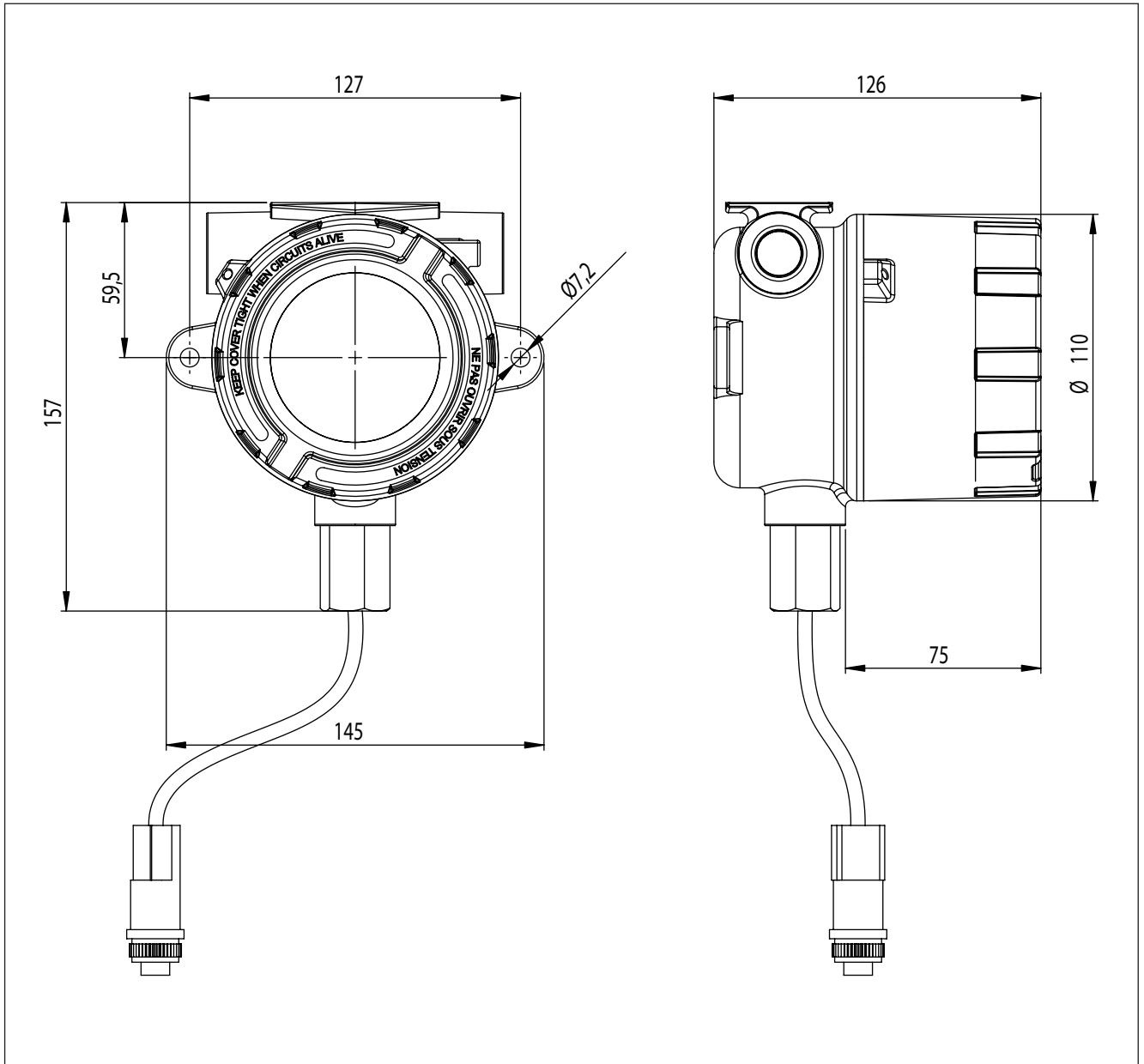
### Highlights

- LCD-Display: 7/7
- Ex-approval: ATEX  
IECEX
- Local Flow Display
- Total Counter
- Resettable Total Counter

## Technical Data

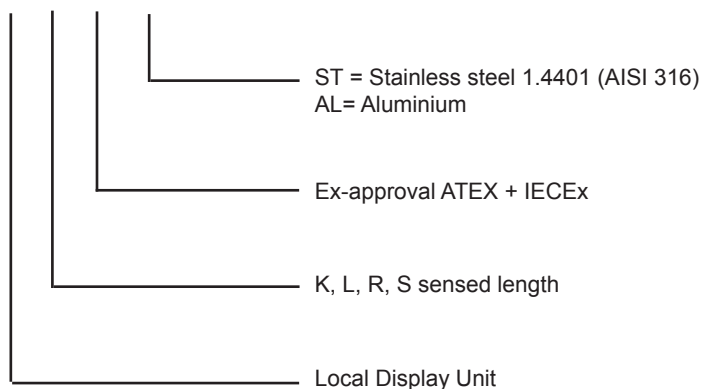
General	
LCD display	7 digits (7 segments), digit height 12 mm for real time value, totals and parameterization
Ambient temperature	-0 up to +50°C
Media temperature	-40 up to +120°C
Ex-protection according to ATEX 100a IECEX	 II 2G Exd [ia] IIC T4, BVS 10 ATEX E 054  Exd [ia Ga] IIC T4 Gb, IECEX BVS 15.0002
Protection class	IP 66
Housing	Aluminium AlMgSiPb or stainless steel 1.4401 (AISI 316)
Weight	App. 3,750 g
Battery life time	5 years

Dimensional Drawing (mm)



## Ordering Information

### VTB \* - Ex - xx



## Notes

The following has to be adhered to:

- Installation instructions for electrical devices. Installation instructions for associated intrinsically-safe devices. The »Special conditions for safe use« as per EC-Type Examination Certificate
- The amplifier has to be installed in a way that the max. ambient temperature does under no circumstances exceed +60°C (consider self heating).
- With cables care should be taken, that the max inductivity and capacity of the respective voltage or gas group are not exceeded.
- Exceeding or falling below the regular measuring range will cause invalid frequency output signals.
- Shielded cables are to be used as connecting lines.
- Generally, supplied units have to be connected by an expert according to EMC stipulations.
- Flammable media may only be used as measuring medium when they do not build an explosive atmosphere permanently or for a longer period of time. In addition, the amount of air and oxygen contained must be low enough to ensure the danger of explosion can definitely be excluded. The local display unit has to be included in repeated pressure tests.

### Warning:

**The unit must not be opened in hazardous areas!**

# Contact

## KEM Headquarter

Liebigstraße 5  
85757 Karlsfeld  
Germany

T. +49/8131/ 59 39 1-0

F. +49/8131/ 92 60 4

[info@kem-kueppers.com](mailto:info@kem-kueppers.com)

## KEM Service & Repairs

Wetzeller Straße 22  
93444 Bad Kötzing  
Germany

T. +49/9941/ 94 23 0

F. +49/9941/ 94 23 23

[info@kem-kueppers.com](mailto:info@kem-kueppers.com)

*More distributors & partners can be found at:  
[www.kem-kueppers.com](http://www.kem-kueppers.com)*

Your local partner:



[www.kem-kueppers.com](http://www.kem-kueppers.com)

[info@kem-kueppers.com](mailto:info@kem-kueppers.com)