

Bimetal thermometer for a separate thermowell centre back connection Type series FA8100



Application area

- Pharmaceutical industry
- Machinery construction
- General process technology

Features

- High quality stainless steel case, NS 50, degree of protection IP 66
- Compact design, suitable for thermowells see type series HP1100 and HP1200
- Nominal range 0...160 °C
- Device connection union nut M12, temperature detecting element Ø 3 mm
- Accuracy class 2 per EN 13190

Options

- Approvals/Certificates
 - Calibration certificate as per EN 10204
- Nominal range -20...140 °C
- Device connection union nut G 3/8

Application

The bimetal thermometer with centre back connection is designed for the installation in a separate thermowell. Suitable thermowells see type series HP1100 and HP1200 (data sheets T5-051 and T5-050).

Technical data

Constructional design / case

Design:	High quality stainless steel case
Material case:	Stainless steel mat.-no. 1.4305 (303)
Nominal size:	NS 50
Degree of protection per EN 60529:	IP 66
Case seal:	Material gasket: NBR
Window:	Macrolon

Measuring system

Movement:	Stainless steel
Scale:	Pure aluminium, white with black inscription. Option: with marking
Pointer:	Pure aluminium, black
Measuring element:	Helix from thermostatic bimetal per DIN 1715, with good adjusting force and fast acting, thermally aged. Base and connecting piece laser welded.
Temperature detecting element:	Sensor \varnothing 3 mm, Temperature detecting element with spring preload, Insertion length (l_1) see order details Material: stainless steel 316L Active length $l_2 = 14$ mm

Process connection

Process connection via thermowells HP1100 and HP1200 (see data sheets T5-051 and T5-050)

Position:	Centre back
Threaded connection:	Union nut M12 Option: union nut G 3/8

Nominal range

Nominal range (EN 13190):	0...160 °C Option: -20...140 °C Scale angle 180°
---------------------------	--------------------------------------------------------

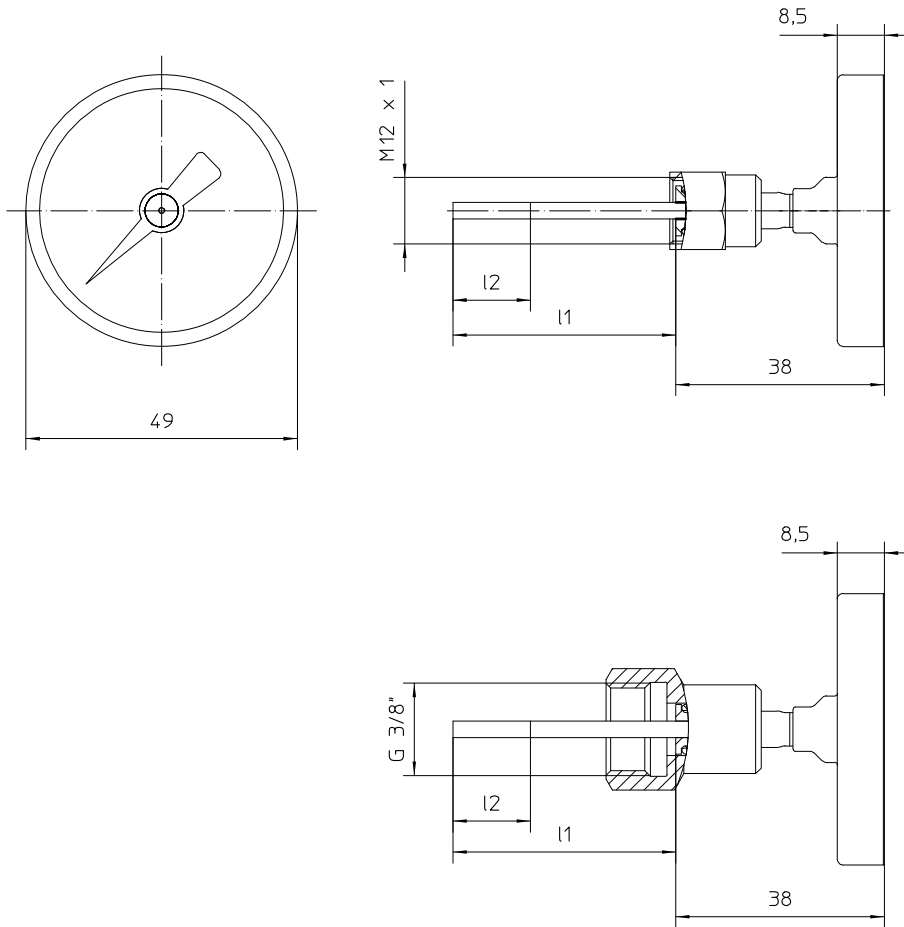
Accuracy

Accuracy per EN13190:	Class 2.0
-----------------------	-----------

Temperature ranges

Ambient:	-20...80 °C
Storage:	-40...80 °C

Dimensions



**The sensitive portion l2 shall reach the media temperature completely.
The insertion length l1 should have adequate size.**

Order details

Bimetal thermometer NS 50 centre back connection, Type series FA8100

Order details FA8100		
FA8100	case design	NS 50, centre back connection, degree of protection IP 66
A2544	nominal range	0...160 °C
A2353		-20...140 °C
Q24	accuracy	class 2 per EN 13190
D2032	process connection	union nut M12
D2005		union nut G 3/8
F3 . . .	temperature detecting element	sensor Ø 3 mm
998	insertion length l_1	suitable for thermowell U ₁
028		28 mm
029		29 mm
038		38 mm
039		39 mm
060		60 mm
084		84 mm
161		161 mm
. . .		up to 240 mm, please specify insertion length, e.g. l_1 : 100 mm: order detail 100
R11	window	Macrolon

Additional features (to be indicated if required):		
T2	marking	on scale (please specify)
W1204	calibration certificate	per EN 10204-3.1, 3 measuring points
W1201		per EN 10204-3.1, 5 measuring points

Order code (example): FA8100 - A2544 - Q24 - D2005 - F3028 - ...