

Pressure transmitter PASCAL CV4

with threaded connection

Type series CV4100



Application area

- Pharmaceutical industry
- Food industry
- Biotechnology
- General process technology

Features

- Compact case of stainless steel in hygienic design according to recommendations from EHEDG and 3A, degree of protection IP 65/67
- Accuracy $\leq 0.15\%$
- High-resolution graphic display with intuitive operation and backlight
- Quick access to device data
- Comprehensive parameterising, simulation and diagnostic functions
- Nominal range 0,25 bar to 400 bar
- Turndown up to 20:1
- Output signal 4...20 mA with HART® protocol
- Digital communication via PDM/EDD and FDT/DTM
- Output functions: linear, inverse
- Table function with up to 32 support points
- Wetted parts stainless steel
- Case design:
 - process connection at back
 - process connection bottom
- Process connection: screw-in thread with internal diaphragm

Options

- Accuracy $\leq 0.1\%$
- Approvals/Certificates
 - Explosion protection for gases and dust
 - Material certificate per EN 10204
 - Calibration certificate per EN 10204
- Degree of protection IP 69K
- Case and front cover of stainless steel 316L
- EAC declaration (upon request)

Application

The digital pressure transmitter PASCAL CV4 is suitable for measuring the relative and absolute pressure of gases, vapors and liquids. Due to the design the transmitter is suitable for highest requirements. The 4 operation buttons allow an easy and fast parameterisation.

Technical data

Measuring ranges

Up to a turndown of 20:1 the measuring span can be freely selected.

Nominal range	Measuring span		Overload capacity	Lower measuring range limit **
	min	max		
-0.25...0.25 bar rel.	0.0125 bar	0.5 bar	1 bar rel.	750 mbar abs
0...1 bar *	0.05 bar	2 bar	3 bar rel.	100 mbar abs
0...4 bar rel. *	0.2 bar	5 bar	10 bar rel.	100 mbar abs
0...16 bar rel. *	0.8 bar	17 bar	60 bar rel.	100 mbar abs
0...40 bar rel. *	2.0 bar	41 bar	100 bar rel.	100 mbar abs
-1...1 bar rel.	0.05 bar	2 bar	3 bar rel.	30 mbar abs
-1...4 bar rel.	0.2 bar	5 bar	10 bar rel.	30 mbar abs
-1...16 bar rel.	0.8 bar	17 bar	60 bar rel.	30 mbar abs
-1...40 bar rel.	2.0 bar	41 bar	100 bar rel.	30 mbar abs
-1...100 bar rel.	5 bar	101 bar	200 bar rel.	0 mbar abs
-1...400 bar rel.	20 bar	401 bar	750 bar rel.	0 mbar abs
0...1 bar abs	0.05 bar abs.	1 bar abs.	3 bar abs.	30 mbar abs
0...4 bar abs	0.2 bar abs.	4 bar abs.	10 bar abs.	30 mbar abs
0...16 bar abs	0.8 bar abs.	16 bar abs.	60 bar abs.	30 mbar abs

* Short term or sporadic measurement in vacuum range permitted up to lower measuring limit. Lower range value up to -1 bar rel. adjustable.

** Vacuum-proof designs are available upon request.

Constructional design / case

Design: Hygienic case of stainless steel, continuously rotatable by $\pm 170^\circ$

Material case: Stainless steel mat.no. 1.4305 (303)
Option:
Stainless steel mat.no. 1.4404 (316L)

Material front cover: Stainless steel mat.no. 1.4305 (303)
Option:
Stainless steel mat.no. 1.4404 (316L)

Gasket: Silicone
EPDM / FKM (if degree of protection IP 69K)

Degree of protection per EN 60529: IP 65 / IP 67
Option: IP 69K

Climatic category per EN 60721 3-4: 4K4H

Material window: Macrolon hardened
Option: Non-splintering glass

Electrical connection: Circular connector M12
Option: Cable glands

- M16 x 1.5, PA black
- M16 x 1.5, brass nickel-plated
- M16 x 1.5, stainless steel
- M20 x 1.5, PA black
- M20 x 1.5, brass nickel-plated
- M20 x 1.5, stainless steel
- 1/2" NPT, PA black

Further connections upon request

Terminal blocks: Spring clamp terminals up to 2 mm²

Type plate: Adhesive label

Process connection

Position: ■ back
■ bottom

Design: ■ G1/2 B per EN 837-1
■ G1/4 B per EN 837-1
■ G1/4 A per DIN EN ISO 1179-2 (DIN 3852-11 model E)
■ 1/2" NPT
■ 1/4" NPT

Further process connections upon request.

Material wetted parts

Sensor :	Piezoresistive	Thin film
Sensor diaphragm:	1.4404/1.4435 (316L)	1.4542 (630)
Socket:	1.4404/1.4435 (316L)	1.4301/1.4404 (304/316L)

Measuring system

Sensor:	Piezoresistive	Thin film
Sensor filling:	Synthetic oil, free of silicone FD1, FDA listed	Without

Accuracy

Reference cond. per EN 61298-1:	$T_U = \text{const. (15...25) } ^\circ\text{C}$ $\varphi = \text{const. (45...75) \% r.F.}$ $p_U = \text{const. (860...1060) mbar}$ $U_B = 24 \text{ V DC } (\pm 3 \text{ V DC})$ $R_B = 50 \text{ } \Omega$, HART: 250 Ω Ground connected Lower range value = 0 bar
Calibration position:	Vertical
Deviation of characteristic:	Refer to the adjusted measuring span (Limit point method per DIN 16086) Up to Turndown 5:1 $\leq \pm 0.15 \%$ Turndown > 5:1 $\leq \pm 0.03 \%$ x TD Option (not for NR 250 mbar): Up to Turndown 5:1 $\leq \pm 0.1 \%$ Turndown > 5:1 $\leq \pm 0.02 \%$ x TD
Long-term drift:	Refer to nominal range $\leq 0.1 \%$ /year
Temperature influence process case:	Refer to nominal range Ambient temperature -20...80 $^\circ\text{C}$: 0.15 %/10K, max. 0.4 % Ambient temperature -40...-20 $^\circ\text{C}$: Typical $\pm 0.2 \%$ /10K

Indication

Display:	- High-resolution graphic display with backlight - 4-button operation - Freely configurable display modes - Continuously rotatable - Removable under voltage
----------	--

Output

Signal:	2-wire technology	4...20 mA
	Lower limit	3.8...4 mA
	Upper limit	20...21 mA
	Lower alarm current	< 3.6 mA
	Upper alarm current	> 21 mA
	Current limitation	22 mA
	Digital communication:	HART [®] -protocol, version 7
Device driver:		
	■ EDD for SIMATIC PDM	
	■ DTM for PACTware or compatible systems (FDT compliance)	

Function:	■ Linear ■ Invers ■ Table function with up to 32 support points
Turndown:	Up to 20:1
Damping:	0...999.9 s
Measuring rate:	20 Hz
Resolution:	$\leq 1 \mu\text{A}$
Current sensing func.	3.55...21.5 mA selectable in steps of 0.001 mA
Load R_B :	$R_B \leq (U_V - 12 \text{ V DC})/0.022 \text{ A } [\Omega]$ $U_V = \text{supply voltage}$ for HART [®] communication $R_B \geq 230 \text{ } \Omega$

Supply voltage

Functional range:	12...30 V DC, protected against polarity reversal 13...30 V DC (Ex), protected against polarity reversal
Ripple:	< 5 %

Temperature ranges

Ambient:	-20...80 $^\circ\text{C}$ Option: -40...80 $^\circ\text{C}$ (Display visibility is limited at temperatures below -30 $^\circ\text{C}$)
Media:	-20...100 $^\circ\text{C}$
Storage:	-40...80 $^\circ\text{C}$

Tests and certificates

Ex approvals

ATEX:	TÜV 20 ATEX 265286 X ⊕ II 1/2G Ex ia IIC TX Ga/Gb ⊕ II 1/2D Ex ia IIIC Txx $^\circ\text{C}$ Da/Db ⊕ II 2G Ex ia IIC TX Gb ⊕ II 2D Ex ia IIIC Txx $^\circ\text{C}$ Db
IECEX:	IECEX TUN 20.0015X Ex ia IIC TX Ga/Gb Ex ia IIIC Txx $^\circ\text{C}$ Da/Db Ex ia IIC TX Gb Ex ia IIIC Txx $^\circ\text{C}$ Db

For detailed information see Ex Instruction XA_027.

EMV :	Per EN 61326-1
EAC declaration:	Upon request

Parameterisation, simulation and adjustment

Parameterisation

Parameter	Values	Default setting
Device		
device ID	16 digits, freely selectable	ID: PASCAL CV4
damping	0,0...999.9 s	0.0 s
Display and control unit		
pressure unit	mbar, bar, Pa, hPa, kPa, MPa, g/cm ² , kg/cm ² , psi, atm, torr, mmH ₂ O, mH ₂ O, inH ₂ O, ftH ₂ O, mmHg, inHg	bar
temperature unit	°C, °F, °R, K	°C
lighting	on, off	on
language	English, German, Chinese	German
decimal point	auto, x.xxxx, xx.xxx, xxx.xx, xxxx.x, xxxxx	auto
display mode	four values, three values, two values, big display,	three values
main value	pressure, current (%), current (mA)	pressure
secondary values	pressure, current (%), current (mA), sensor temperature, device ID, HART-TAG, HART descriptor, <empty>	device ID , Bargraph
Current output		
output function	linear, invers, table	linear
number of table points	2...32	2 (0 % ≡ 4 mA, 100 % ≡ 20 mA)
lower range value	at any value within nominal range	0 bar
upper range value	at any value within nominal range	upper range limit
lower current limit	3,8...4,0 mA	3,8 mA
upper current limit	20...21 mA	20,5 mA
alarm current	low (<3.6 mA), high (> 21.0 mA)	low (<3.6 mA)
position correction	on, off	off
HART® data		
HART® address	0...63	0
number of response preambels	5...20	5
current mode	proportional, constant	proportional

Diagnostic functions

Measuring circuit diagnostics	Description	Value
loop-test	setting of a fixed current value at the output	3.55...21.5 mA
pressure simulation	setting a fixed pressure value, it also considers damping and tabular function unlike the current simulation	nominal range
min/max values	for process pressure and sensor temperature	/

Adjustment

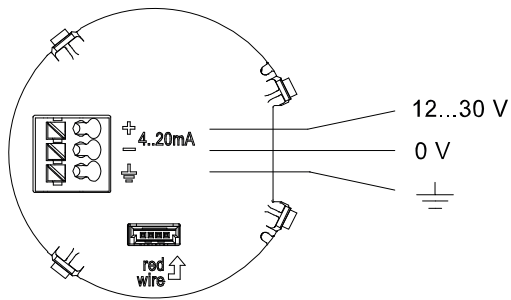
Type	Description
zero point correction	adjusts reading to zero at ambient pressure (for differential and gauge pressure devices)
position correction	adjusts reading of mounted device to zero at ambient pressure (only relative pressure measurement devices)
lower adjustment	adjusts reading of mounted device to zero at ambient pressure
upper adjustment	adjusts reading to applied pressure (affects span only)
current adjustment	adjusts current output to achieve 4 resp. 20 mA at the end of the measurement chain

Parameterisation for devices without a firmly fitted display

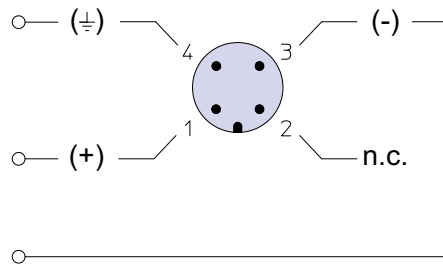
Parameterisation possible via HART® protocol.

Parameterisation possible at any time via plugging a display module.

Connection diagram



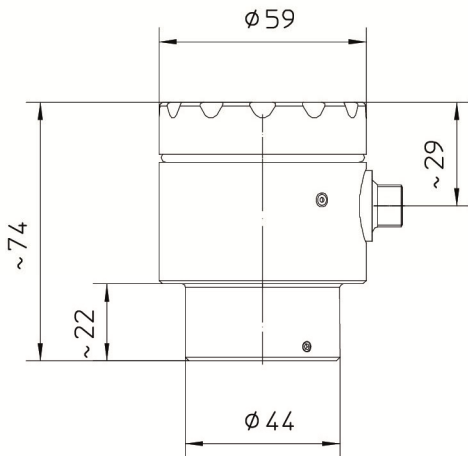
cable gland



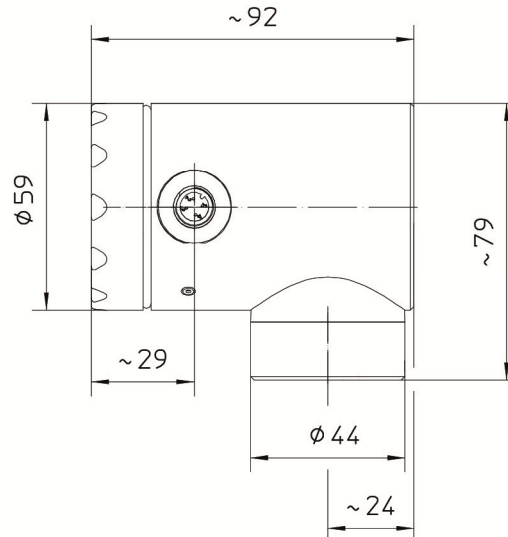
circular connector M12 x 1

Dimensions

Standard Case

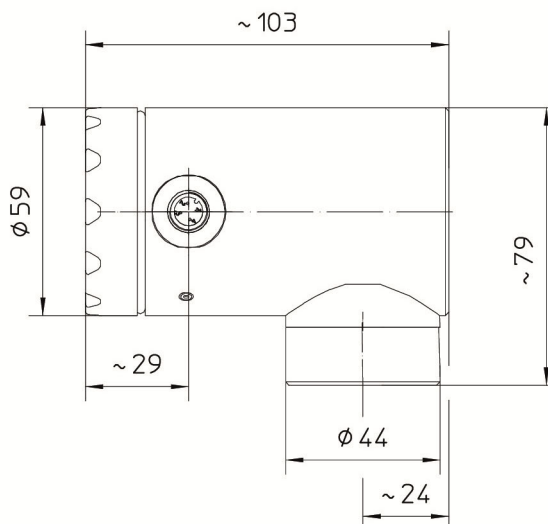
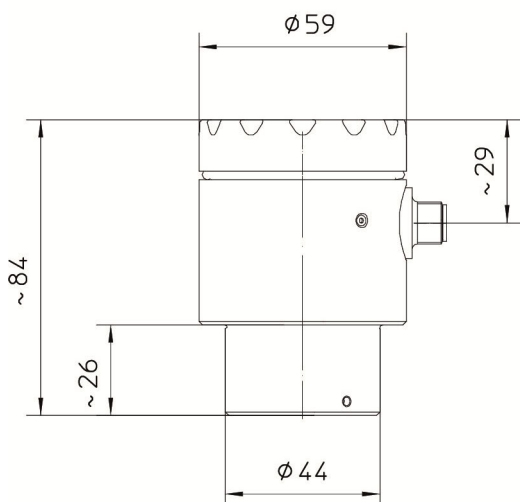


process connection at back

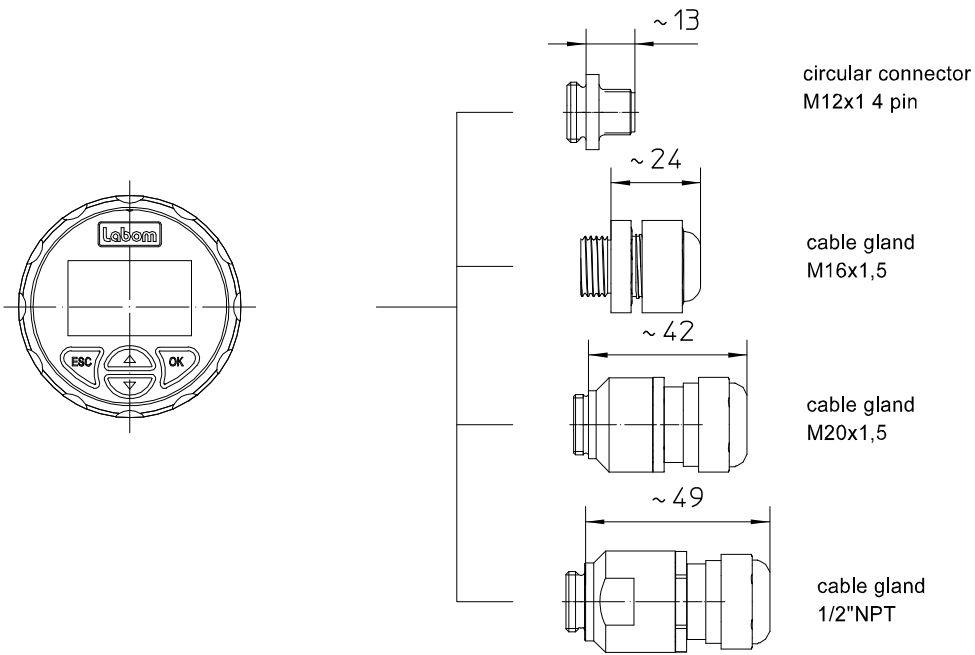


process connection bottom

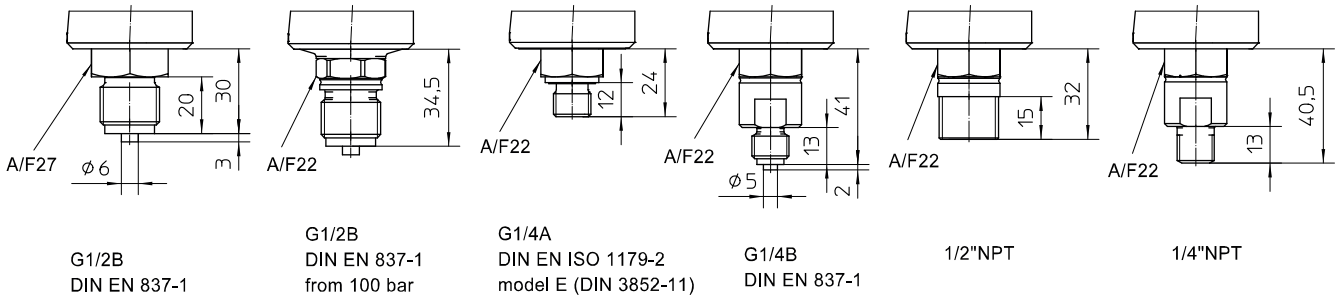
Case in Ex design



Electrical connection



Process connections



All dimensions are in millimeters

Order details

Pressure transmitter PASCAL CV4 with threaded connection Type series CV4100

Order details PASCAL CV4100			
CV4100	pressure transmitter PASCAL CV4 with threaded connection		
R70	position process connection	at back	
R71		bottom	
	nominal range	overload limit [bar]	sensor type
A1078	-0,25...0,25 bar rel.	1	piezoresistive
A1053	0...1 bar rel.	3	
A1056	0...4 bar rel.	10	
A1059	0...16 bar rel.	60	
A1061	0...40 bar rel.	100	
A1126	-1...1 bar rel.	3	
A1127	-1...4 bar rel.	10	
A1128	-1...16 bar rel.	60	
A1129	-1...40 bar rel.	100	
A3063	-1...100 bar rel.	200	thin film
A3066	-1...400 bar rel.	750	
B1053	0...1 bar abs	3	piezoresistive
B1056	0...4 bar abs	10	
B1059	0...16 bar abs	60	
F1	parameterisation	standard according to data sheet (see parameterisation table)	
F9		as per customer's specification	
Q2	accuracy	≤ 0,15 % der eingestellten Messspanne	
Q1		≤ 0,1 % der eingestellten Messspanne ¹	
H21	output signal	4...20 mA, with HART®-protocol	
Y14	material case/window	stainless steel mat.-no.1.4305 (303)	window Macrolon
Y12			window non-splintering glass
Y13			closed, without window
Y24		stainless steel mat.-no.1.4404 (316L)	window Macrolon
Y22			window non-splintering glass
Y23			closed, without window
T1			case degree of protection
T4	IP 69K ²		
			default language
M21.1	display	High-resolution graphic display with backlight, intuitive 4-button operation, quick access to device data	English
M21.2			German
M21.3			Chinese
M1	without display		
T20	electrical connection	cable gland	M16 x 1.5 polyamide, for cable Ø 4.5-10 mm ³
T21			M16 x 1,5 brass nickel-plated, for cable Ø 5-10
T22			M16 x 1.5 stainless steel, for cable Ø 5-9 mm ³
T15			M20 x 1.5 polyamide, for cable Ø 7-13 mm ³
T16			M20 x 1.5 brass nickel-plated, for cable Ø 7-13
T17			M20 x 1.5 stainless steel, for cable Ø 8-13 mm
T27			1/2" NPT polyamide, for cable Ø 5-12 mm
T30			circular connector M12 x 1 (4 pin) ³
K1010	process connection	G1/2 B per EN 837-1	
K1002		G1/4 B per EN 837-1	
K1024		G1/4 A per DIN EN ISO 1179-2 model E (DIN 3852-11)	
K1070		1/2" NPT	
K1072		1/4" NPT	
K9999		as per indication	
U1	ambient temperature	-20...80 °C	
U7		-40...80 °C	

Additional features (to be indicated if required)			
S66	Ex marking ⁴	ATEX	⊕ II 1/2G, II 2G Ex ia IIC TX Ga/Gb, Gb
			⊕ II 1/2D, II 2D Ex ia IIIC Txx°C Da/Db, Db
S76		IECEX	Ex ia IIC TX Ga/Gb, Gb
			Ex ia IIIC Txx°C Da/Db, Db
W1020	material certificate	per EN 10204-3.1, wetted parts	
W1201	calibration certificate	per EN 10204-3.1, 5 measuring points	

Order code (example): CV4100 – A1056 – F1 – H21 – Y42 – T20 – K1010

¹ not for nominal range 0.25 bar

² only possible with window of Macrolon, gasket made of EPDM/FKM and selected electrical connections (see footnote 3)

³ suitable for degree of protection IP 69K

⁴ not possible with window of Macrolon, not suitable for degree of protection IP 69K